

SINGER®

4423 Instruction Manual

IMPORTANT SAFETY INSTRUCTIONS

When using an electrical appliance, basic safety should always be followed, including the following:

Read all instructions before using this sewing machine.

DANGER - To reduce the risk of electric shock:

1. An appliance should never be left unattended when plugged in.
2. Always unplug this appliance from the electric outlet immediately after using and before cleaning.
3. Always unplug before changing the light bulb. Replace bulb with same type rated 15 watts (110-120V area / 220-240V area).

WARNING - To reduce the risk of burns, fire, electric shock, or injury to persons:

1. Do not allow to be used as a toy. Close attention is necessary when this appliance is used by or near children.
2. Use this appliance only for its intended use as described in this manual. Use only attachments recommended by the manufacturer as contained in this manual.
3. Never operate this appliance if it has a damaged cord or plug, if it is not working properly, if it has been dropped or damaged, or dropped into water. Return the appliance to the nearest authorized dealer or service center for examination, repair, electrical or mechanical adjustment.
4. Never operate the appliance with any air openings blocked. Keep ventilation openings of the sewing machine and foot controller free from accumulation of lint, dust, and loose cloth.
5. Keep fingers away from all moving parts. Special care is required around the sewing machine needle.
6. Always use the proper needle plate. The wrong plate can cause the needle to break.
7. Do not use bent needles.
8. Do not pull or push fabric while stitching. It may deflect the

needle causing it to break.

9. Switch the sewing machine off ("O") when making any adjustments in the needle area, such as threading needle, changing needle, threading bobbin, or changing presser foot, and the like.
10. Always unplug sewing machine from the electrical outlet when removing covers, lubricating, or when making any other user servicing adjustments mentioned in the instruction manual.
11. Never drop or insert any object into any opening.
12. Do not use outdoors.
13. Do not operate where aerosol spray products are being used or where oxygen is being administered.
14. To disconnect, turn all controls to the off ("O") position, then remove plug from outlet.
15. Do not unplug by pulling on cord. To unplug, grasp the plug, not the cord.
16. The sound pressure level under normal operating conditions is 75dB(A).
17. Please turn off the machine or unplug when the machine is not operating properly.
18. Never place anything on the foot controller.
19. If the supply cord that is fixed with foot controller is damaged, it must be replaced by the manufacturer or its service agent or a similar qualified person in order to avoid a hazard.
20. This appliance is not intended for use by persons (including children) with reduced physical, sensory or mental capabilities, or lack of experience and knowledge, unless they have been given supervision or instruction concerning use of the appliance by a person responsible for their safety.
21. Children should be supervised to ensure that they do not play with the appliance.

SAVE THESE INSTRUCTIONS

This sewing machine is intended for household use only.

Congratulations

As the owner of a new Singer sewing machine, you are about to begin an exciting adventure in creativity. From the moment you first use your machine, you will know you are sewing on one of the easiest to use sewing machines ever made.

May we recommend that, before you start to use your sewing machine, you discover the many features and the ease of operation by going through this instruction book, step by step, seated at your machine.

To ensure that you are always provided with the most modern sewing capabilities, the manufacturer reserves the right to change the appearance, design or accessories of this sewing machine when considered necessary.

SINGER is a registered trademark of The Singer Company Limited S.à r.l. or its affiliates.

© 2012 The Singer Company Limited S.à r.l. or its affiliates. All rights reserved.

☐ List of Contents

Machine Basics

Principle Parts of the Machine	2/3
Connecting Machine to Power Source	4
Two Step Presser Foot Lifter/Adjusting Presser Foot Pressure	5
Accessories	6

Threading the Machine

Winding the Bobbin	7
Inserting the Bobbin	8
Threading the Upper Thread	9
Automatic Needle Threader	10
Raising the Bobbin Thread	11
Thread Tension	12

Sewing

How to Choose Your Pattern	13
Three Needle Position Dial	14
Stitch Width Dial & Stitch Length Dial	15
Sewing Straight Stitch	16
Reverse Sewing/Removing the Work/Cutting the Thread	17
Choosing Stretch Stitch Patterns	18
Blind Hem	19
Sew 1-step Buttonholes	20
Left and Right Side Balance for Buttonhole	21
Sewing on Buttons	22

General Information

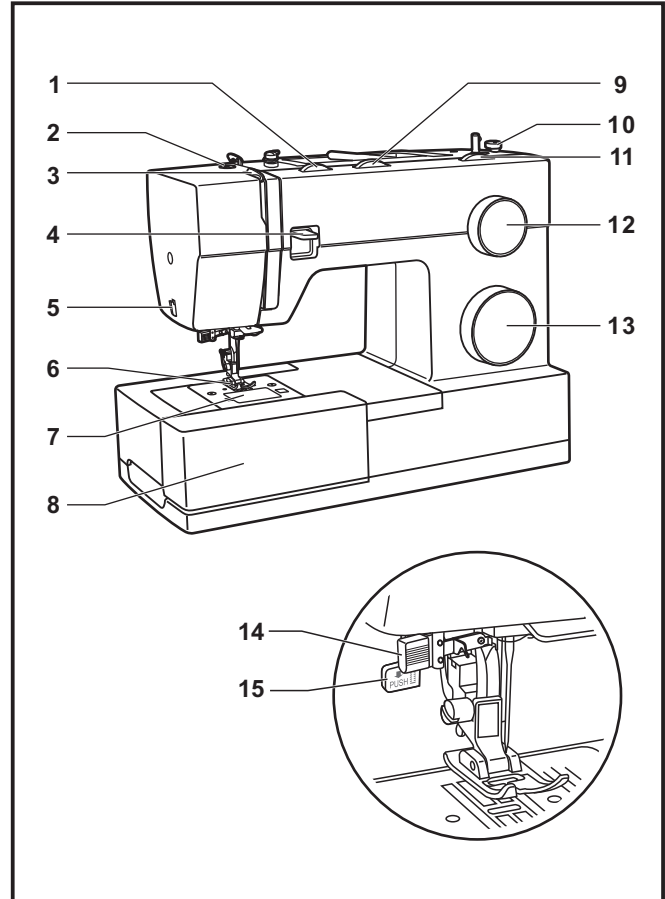
Installing the Removable Extension Table	23
Attaching the Presser Foot Shank	24
Needle/Fabric/Thread Chart	25
How To Drop Feed Dog	26

Maintenance and Troubleshooting

Inserting & Changing Needle	27
Changing the Bulb	28
Troubleshooting Guide	29

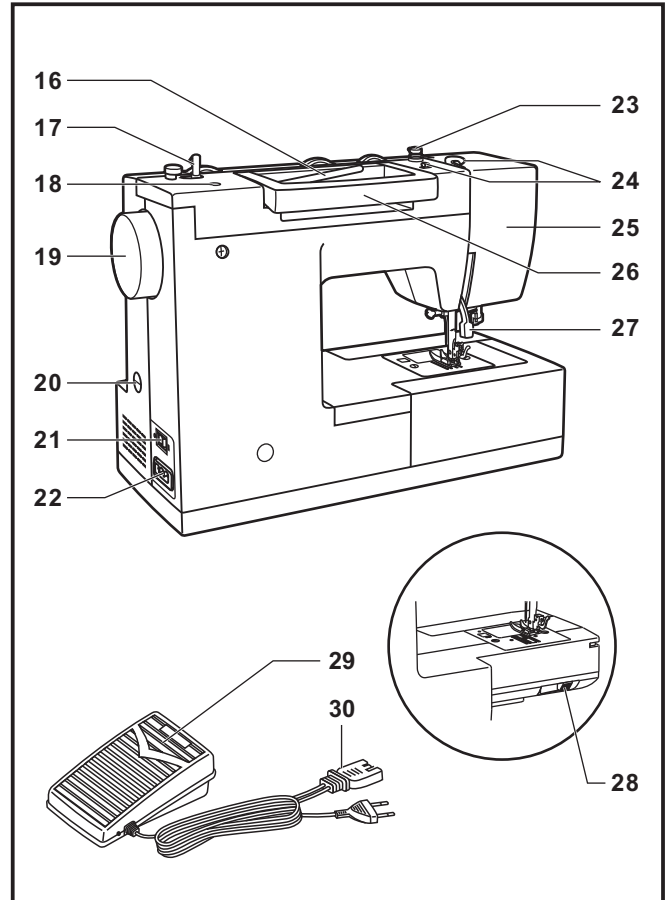
□ Principal Parts of the Machine

1. Thread tension dial
2. Presser foot pressure adjustment
3. Thread take-up lever
4. Reverse sewing lever
5. Thread cutter
6. Presser foot
7. Needle plate cover
8. Removable extension table/ accessory storage
9. Three needle position dial
10. Bobbin stopper
11. Stitch width dial
12. Stitch length dial
13. Pattern selector dial
14. Automatic threader
15. One step buttonhole lever



□ Principal Parts of the Machine

16. Horizontal spool pin
17. Bobbin winding spindle
18. Hole for second spool pin
19. Handwheel
20. Buttonhole stitch balance adjustment slot
21. Power and light switch
22. Main plug socket
23. Bobbin thread guide
24. Upper thread guide
25. Face plate
26. Handle
27. Presser foot lifter
28. Drop feed control
29. Foot speed control
30. Power cord



□ Connecting Machine to Power Source

Connect the machine to a power source as illustrated. (1)

Attention:

Unplug power cord when machine is not in use.

Foot control

The foot control pedal regulates the sewing speed. (2)

Attention:

Consult a qualified electrician if in doubt of how to connect machine to power source.

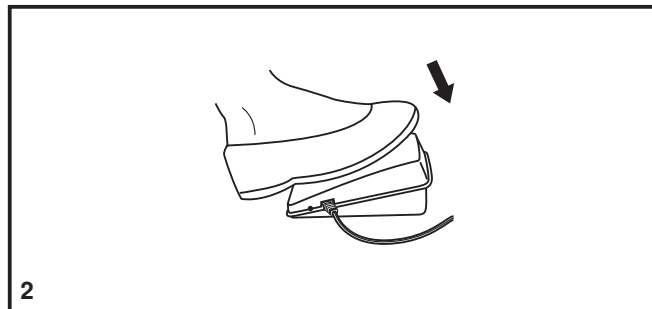
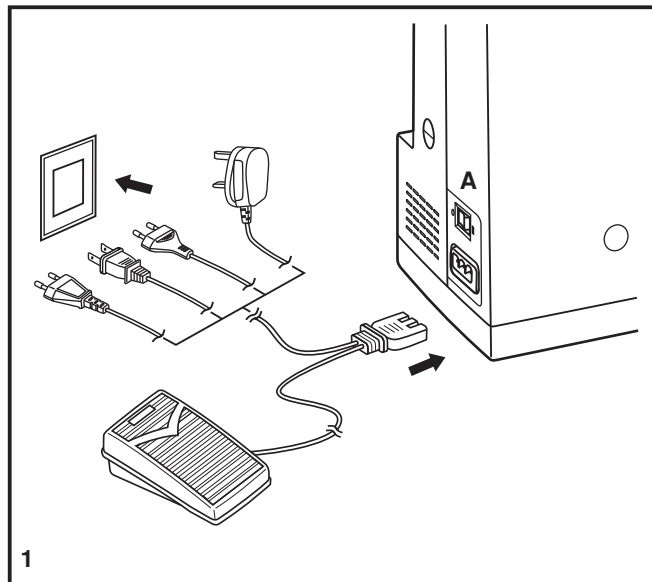
Unplug power cord when machine is not in use.

The foot control must be used with the appliance by FC-1902A (110-120V area)/ FC-2902A (220-240V area) manufactured by ZHEJIANG FOUNDER MOTOR CORPORATION LTD. (China)

4C-316Q (110-125V area) manufactured by Wakaho Electric Ind. Co., Ltd. (Vietnam)

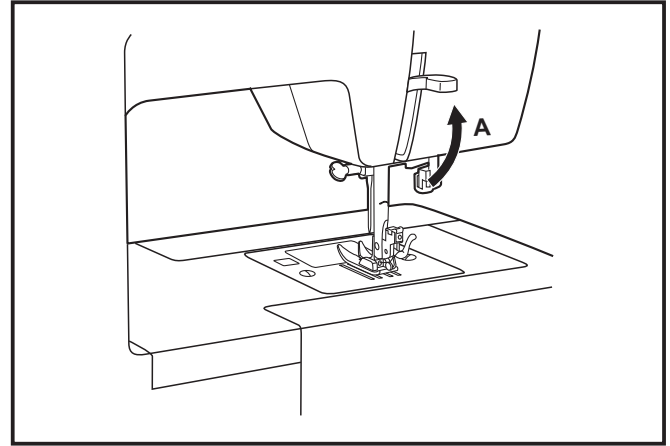
Sewing light

Press main switch (A) to "I" for power and light.



Two Step Presser Foot Lifter

When sewing several layers or thick fabrics, the presser foot can be raised to a higher position for easy positioning of the work. (A)

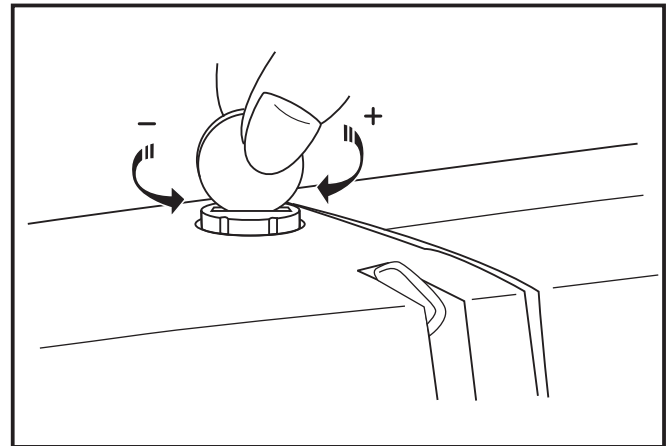


Adjusting Presser Foot Pressure

The presser foot pressure of the machine has been pre-set and requires no particular readjustment according to the type of fabric (light-or-heavy weight).

However, if you need to adjust the presser foot pressure, turn the presser adjusting screw with a coin.

For sewing very thin fabric, loosen the pressure by turning the screw counter clockwise, and for heavy fabric, tighten by turning it clockwise.



□ Accessories

Standard accessories (1)

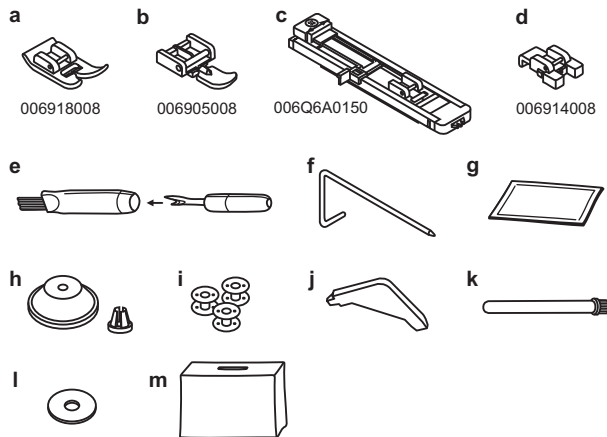
- a. All purpose foot
- b. Zipper foot
- c. Buttonhole foot
- d. Button sewing foot
- e. Seam ripper/ brush
- f. Edge/ quilting guide
- g. Pack of needles
- h. Spool holders
- i. Bobbin (3x)
- j. L-screwdriver
- k. Auxiliary Spool Pin
- l. Spool pin felt
- m. Soft cover

Optional accessories (2)

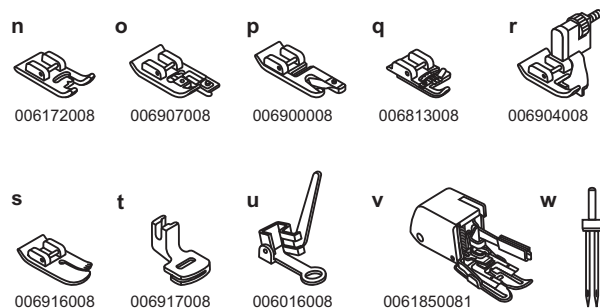
(These 10 accessories are not supplied with this machine; they are, however, available for purchase from your authorized retailer.)

- n. Satin stitch foot
- o. Overcasting foot
- p. Hemmer foot
- q. Cording foot
- r. Blind hem foot
- s. Quilting/ straight stitch foot
- t. Gathering foot
- u. Darning/ embroidery foot
- v. Even Feed foot
- w. Twin needle

1 Standard accessories



2 Optional accessories

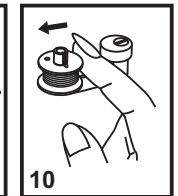
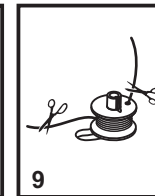
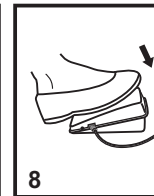
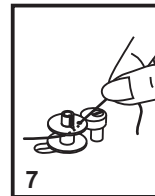
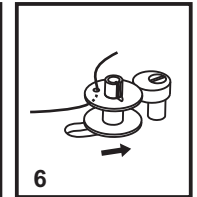
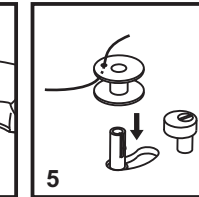
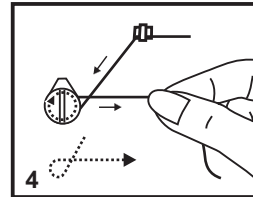
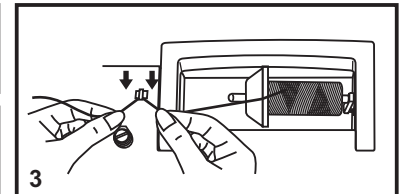
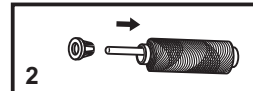
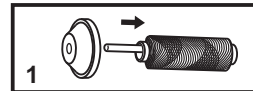
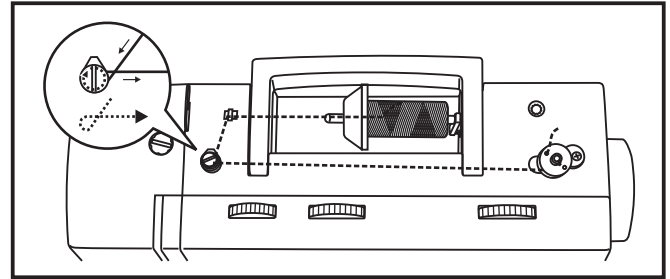


□ Winding the Bobbin

- Place thread and corresponding spool holder on to spool pin. (1/2)
- Snap thread into thread guide. (3)
- Wind thread clockwise around bobbin winder tension discs. (4)
- Thread bobbin as illustrated and place on spindle. (5)
- Push bobbin spindle to right. (6)
- Hold thread end. (7)
- Step on foot control pedal. (8)
- Cut thread. (9)
- Push bobbin spindle to left (10) and remove.

Please Note:

When the bobbin winder spindle is in "bobbin winding" position, the machine will not sew and the handwheel turn. To start sewing, push the bobbin winder spindle to the left (sewing position).



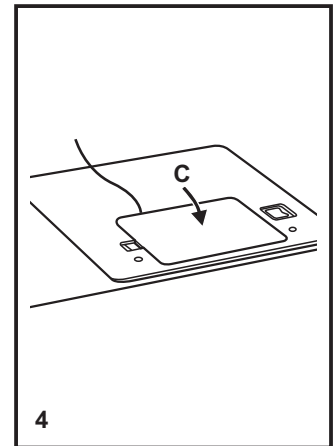
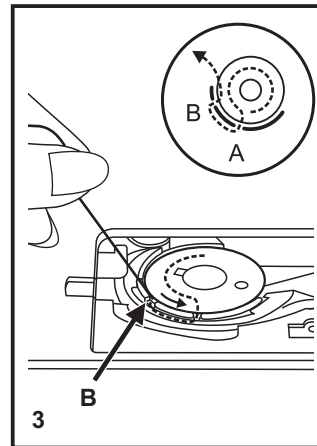
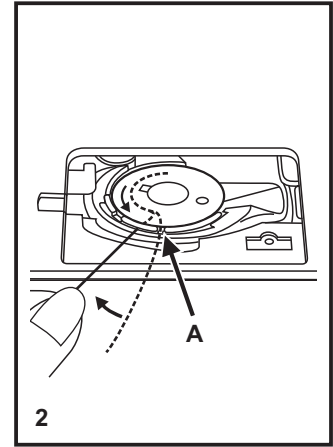
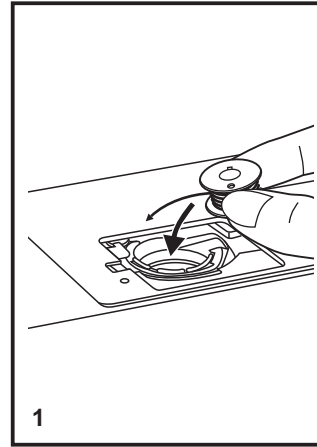
□ Inserting the Bobbin

When inserting or removing the bobbin, the needle must be fully raised.

1. Insert the bobbin in the bobbin case with the thread running counterclockwise direction (arrow).
2. Pull the thread through the slit (A).
3. Draw the thread clockwise until it slips into the notch (B).
4. Pull out about 15 cm (6 inches) of thread and attach the bobbin cover plate. (C)

Attention:

Turn power switch to off ("O") before inserting or removing the bobbin.



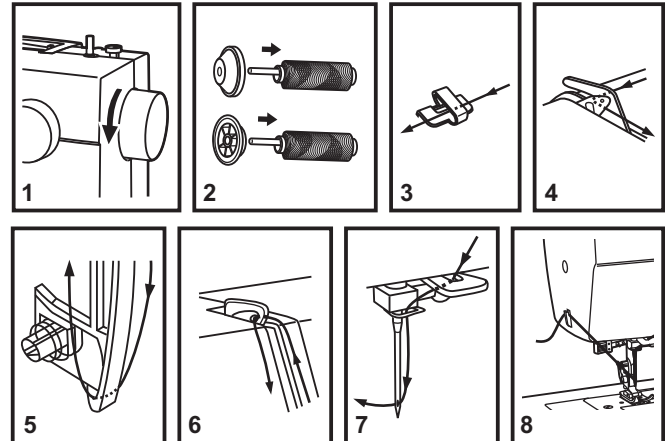
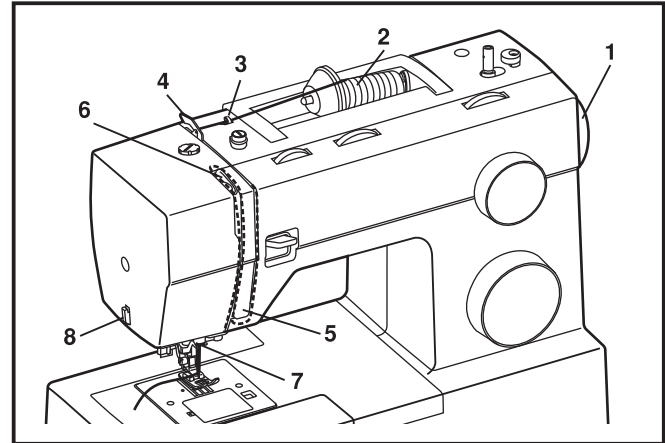
□ Threading the Upper Thread

This is a simple operation but it is important to carry out correctly as by not doing so several sewing problems could result.

- Start by raising the needle to its highest point (1), and continue turning the handwheel counterclockwise until the needle just slightly begins to descend. Raise the presser foot to release the tension discs.

Note: For safety, it is strongly suggested you turn off the power before threading.

- Lift up the spool pin. Place the spool of thread on the holder with the thread coming off the spool as shown. For small thread spools, place small side of spool holder next to spool. (2)
- Draw thread from spool through the upper thread guide (3) and pulling thread through pre-tension spring as illustrated. (4)
- Thread tension module by leading thread down right channel and up left channel. (5) During this process it is helpful to hold the thread between the spool and thread guide. (6)
- At the top of this movement pass thread from right to left through the slotted eye of the take-up lever and then downwards again. (6)
- Now pass the thread behind the horizontal thread guide, and then behind the thin wire needle clamp guide (7) and then down to the needle which should be threaded from front to back. (7)
- Pull about 6-8 inches of thread to the rear beyond the needle eye. Trim thread to length with built in thread cutter. (8)

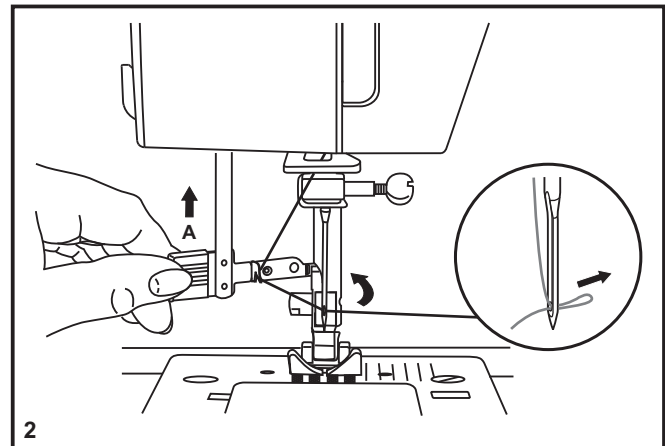
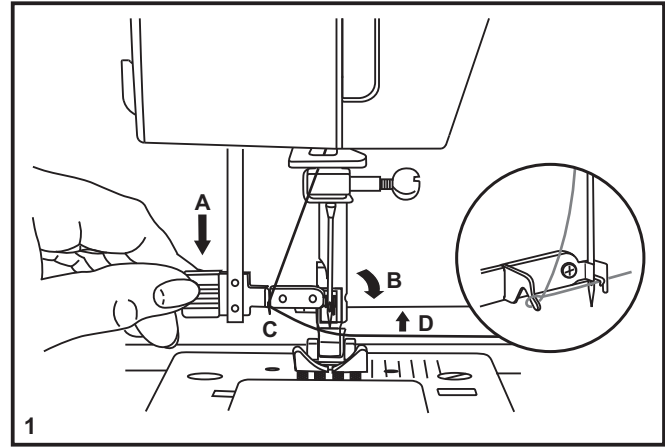


□ Automatic Needle Threader

- Raise the needle to its highest position.
- Press lever (A) down as far as it will go.
- The threader automatically swings to the threading position (B).
- Pass thread around thread guide (C).
- Pass the thread in front of the needle around the hook (D) from bottom to top.
- Release lever (A).
- Pull the thread through the needle eye.

Attention:

Turn power switch to off ("O")!



□ Raising the Bobbin Thread

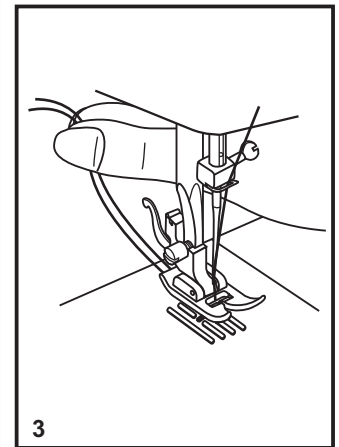
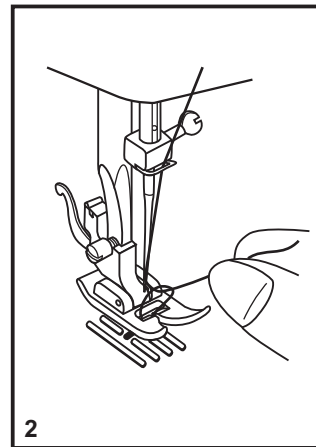
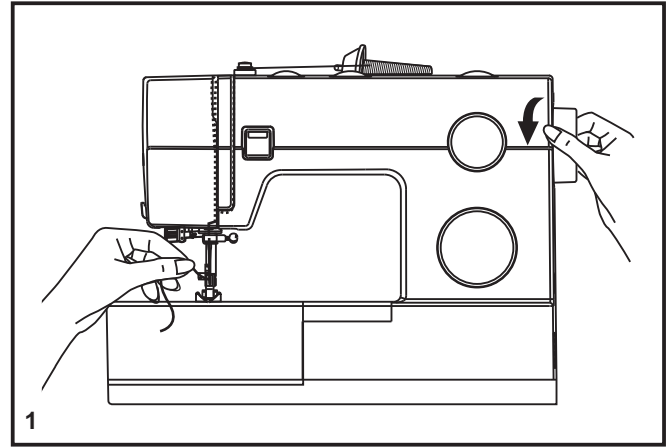
Hold the upper thread with the left hand. Turn the handwheel (1) towards you (counterclockwise) lowering, then raising needle.

Note:

If it is difficult to raise the bobbin thread, check to make sure the thread is not trapped by the hinged cover or the Removable Extension Table.

Gently pull on the upper thread to bring the bobbin thread up through the needle plate hole. (2)

Lay both threads to the back under the presser foot. (3)



□ Thread Tension

Upper thread tension

Basic thread tension setting: "4". (1)

To increase the tension, turn the dial to the next number up.

To reduce the tension, turn the dial to the next number down.

A. Normal thread tension for straight stitch sewing.

B. Thread tension too loose for straight stitch sewing. Turn dial to higher number.

C. Thread tension too tight for straight stitch sewing. Turn dial to lower number.

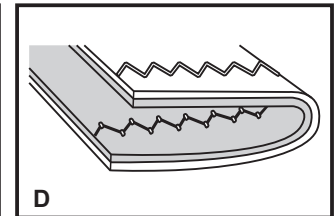
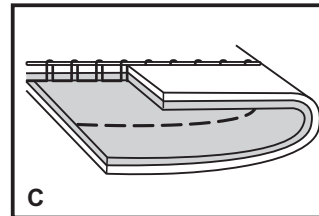
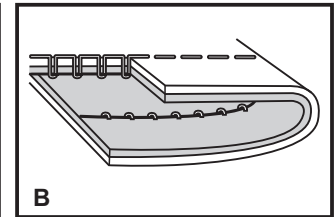
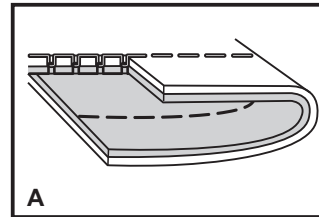
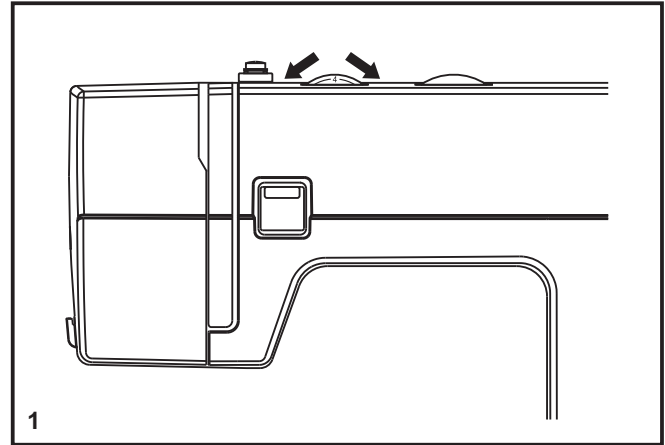
D. Normal thread tension for zig zag and decorative sewing.
Correct thread tension is when a small amount of the upper thread appears on the bottom side of fabric.

Lower thread tension

The bobbin tension has been set correctly at the factory, so you do not need to adjust it.

Please note:

- Proper tension setting is important for strong seams.
- There is no single tension setting appropriate for all stitch functions, thread or fabric.
- A balanced tension (identical stitches both top and bottom) is usually only desirable for straight stitch construction sewing.
- 90% of all sewing will be between "3" and "5".
- For zig zag and decorative sewing stitch functions, thread tension should generally be less than for straight stitch sewing.
- For all decorative sewing you will always obtain a nicer stitch and less fabric puckering when the upper thread appears on the bottom side of your fabric.



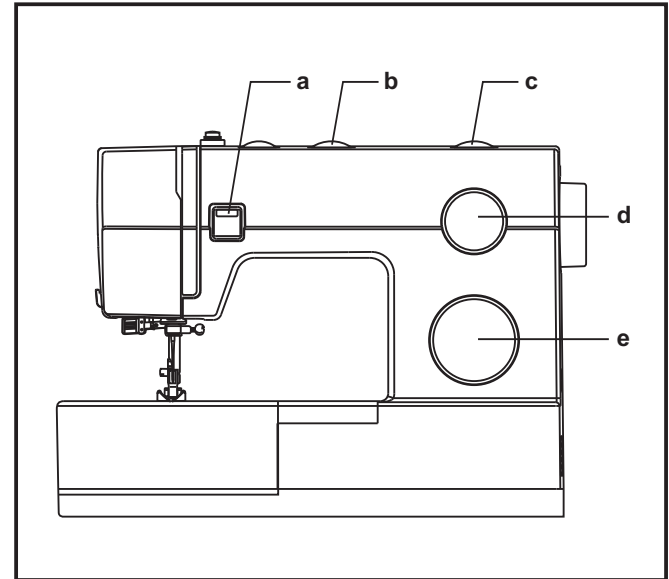
□ How to Choose Your Pattern

The diagram on this page display the stitch patterns available on the machine.

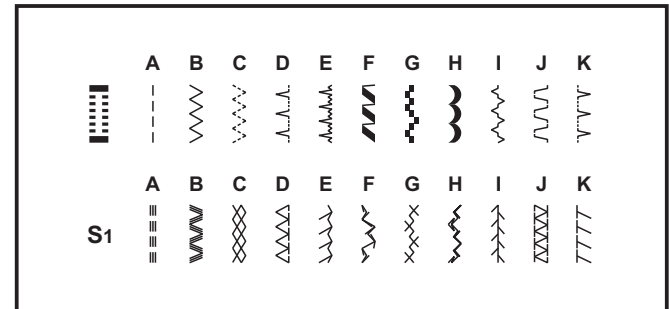
Stitches in the top of the diagram are indicated on the Pattern Selector Dial in gray. To select the patterns indicated with the gray color, turn the Pattern Selector Dial. (e) Use the Stitch Length Dial (d) to adjust the stitch length as desired for the project. Use the Stitch Width Dial (c) to adjust the width of the stitch as desired.

Stitches in the bottom row of the diagram are indicated on the Pattern Selector Dial in blue. The blue indicates that the stitch is a stretch stitch pattern, and information on how to sew these stretch patterns is on page 18.

The Pattern Selector Dial may be turned in either direction.

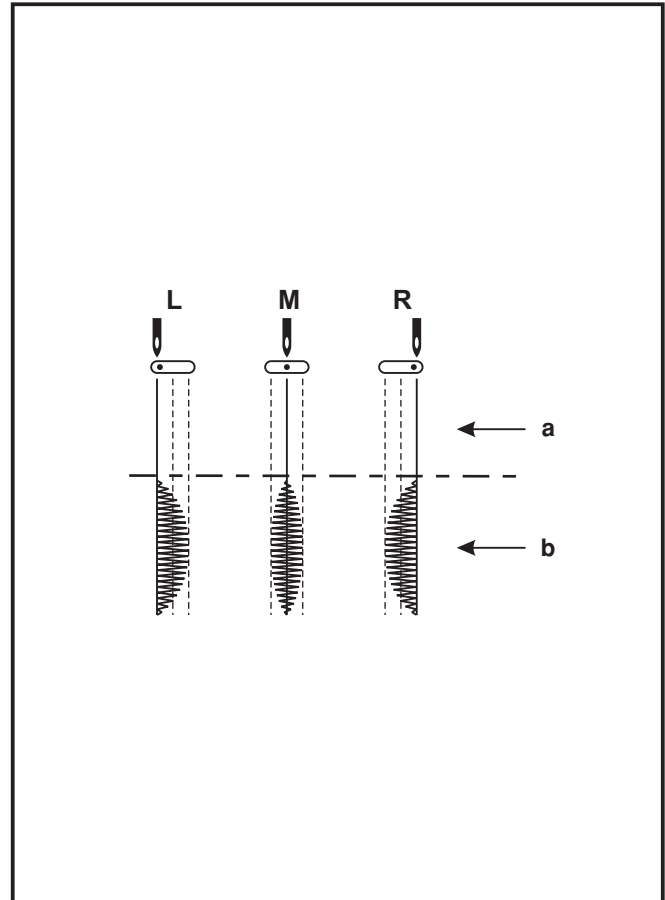


- a. Reverse Sewing Lever
- b. Three Needle Position Dial
- c. Stitch Width Dial
- d. Stitch Length Dial
- e. Pattern Selector Dial



□ Three Needle Position Dial

The needle position can be altered with the "Three needle position dial". For normal work, the needle position is middle. For edge stitching or sewing parallel lines of top stitch, select needle position left or right. For twin needle stitching, needle position is middle.



- a. Straight
- b. Zig-zag

- L. Left Needle Position
- M. Middle Needle Position
- R. Right Needle Position

□ **Stitch Width Dial & Stitch Length Dial**

Function of stitch width dial

The maximum zigzag stitch width for zigzag stitching is 6mm; however, the width can be reduced on any patterns. The width increases as you move zigzag dial from "0" - "6". (1)

Function of stitch length dial while zig-zag stitching

Set the Pattern Selector Dial to zig-zag.

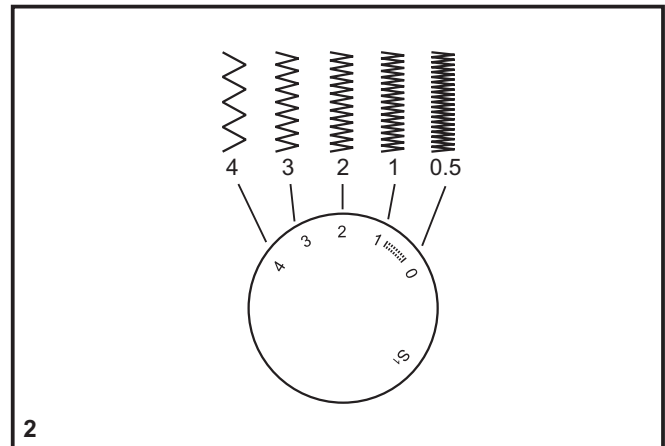
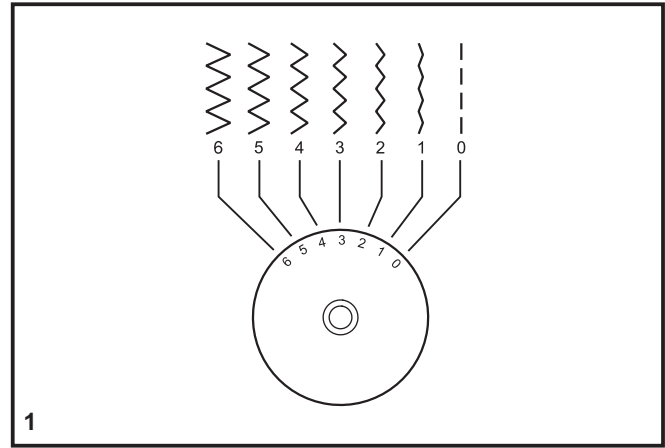
The density of zig-zag stitches increase as the setting of stitch length dial approaches "0".

Standard zigzag stitches are usually achieved at "3" or below. (2)

Dense zig-zag stitches are called satin stitches. (2)

Function of stitch length dial for when straight stitching

For straight stitch sewing, turn the Pattern Selector Dial to the straight stitch setting. Turn the Stitch Length Dial, and the length of the individual stitches will decrease as the dial approaches "0". Generally speaking, use a longer stitch length when sewing heavier weight fabrics or when using a thicker needle or thread. Use a shorter stitch length when sewing lighter weight fabrics or when using a finer needle or thread.

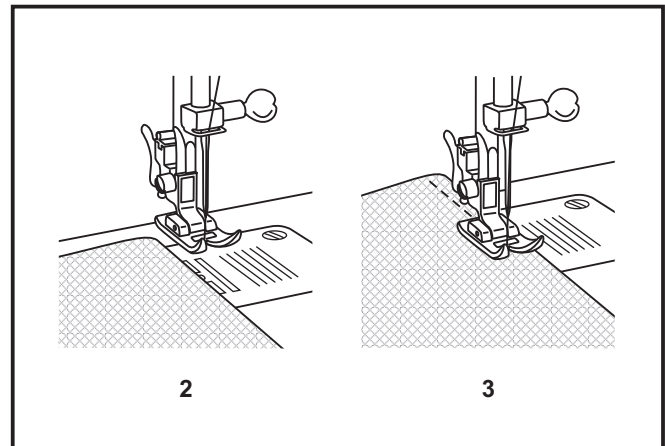
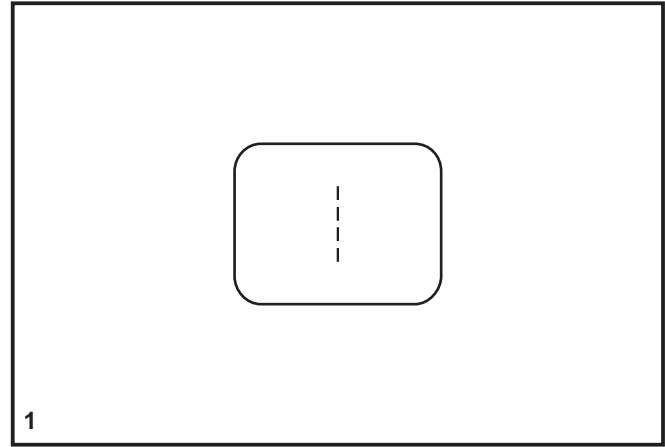


□ Sewing Straight Stitch

To begin sewing, set the machine for straight stitch. (1)

Place the fabric under the presser foot with the fabric edge lined up with the desired seam guide line on the needle plate. (2)

Lower the presser foot lifter, and then step on the foot controller to start sewing. (3)



Reverse Sewing

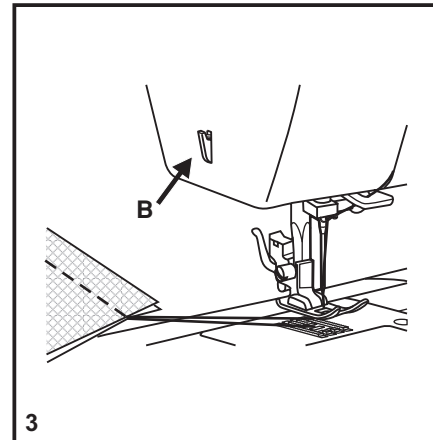
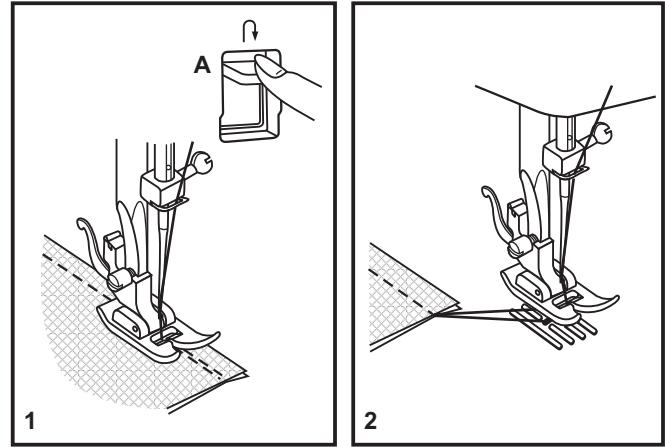
To secure the beginning and the end of a seam, press down the reverse sewing lever (A). Sew a few reverse stitches. Release the lever and the machine will sew forward again. (1)

Removing the Work

Turn the handwheel toward you (counterclockwise) to bring the thread take up lever to its highest position, raise the presser foot and remove work behind the needle and presser foot. (2)

Cutting the Thread

Pull the threads under and behind the presser foot. Guide the threads to the side of the face plate and into thread cutter (B). Pull threads down to cut. (3)



□ Choosing Stretch Stitch Patterns

The Stretch Stitch Patterns are indicated with a blue color on the Pattern Selector Dial. To select these stitches, turn the Pattern Selector Dial to the desired pattern. Then, turn the Stitch Length Dial to the indicator marked "S1". Though there are several stretch patterns, here are two examples:

Straight Stretch Stitch (1)

Set the Pattern Selector Dial to "▬▬▬▬▬▬".

Used to add triple reinforcement to stretch and hardwearing seams.

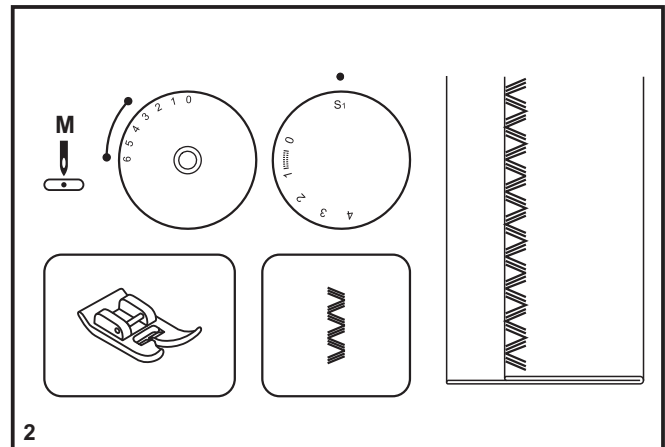
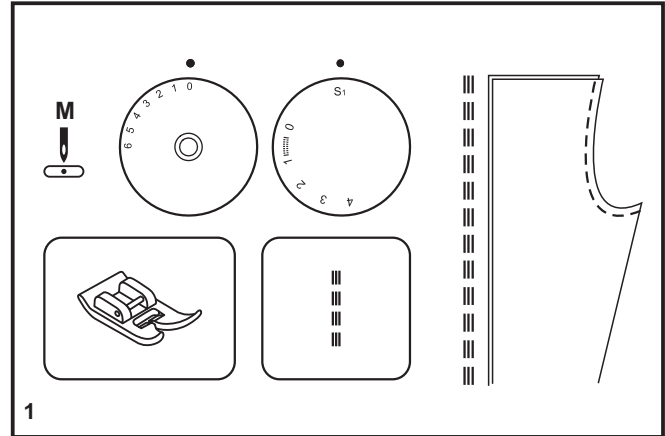
The machine sews two stitches forward and one stitch backwards.

Ric Rac (2)

Set the Pattern Selector Dial to "〰〰〰〰〰〰".

Adjust the Stitch Width Dial to between "3" and "6".

Ric Rac Stitch is suitable for firm fabrics like denim, corduroy, poplin, duck, etc.



□ Blind Hem

For hems on curtains, trousers, skirts, etc.

..... Blind hem for stretch fabrics.

..... Blind hem for firm fabrics.

Set the Stitch Length Dial with the range shown on the diagram at the right. Blind hems, however, are normally sewn with a longer stitch length setting. Set the Stitch Width Dial at a setting appropriate for the weight/type of fabric being sewn, within the range shown in the diagram on the right of the page. Generally, a narrower stitch is used for lighter weight fabrics, and a wider stitch is used for heavier weight fabrics. Sew a test first to make sure the machine settings are appropriate for the fabric.

Blind Hem:

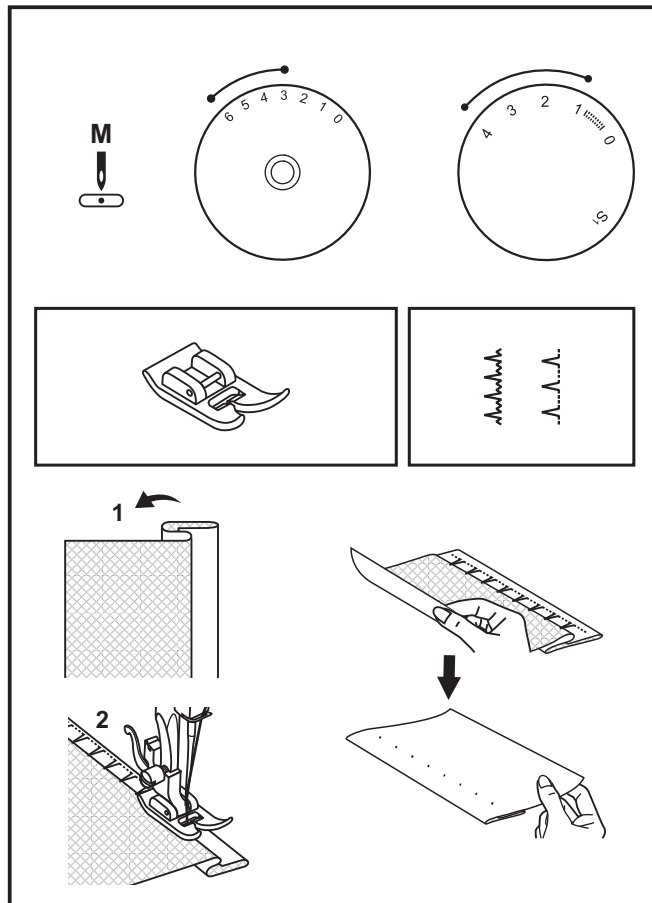
Turn up the hem to the desired width and press. Fold back (as shown in Fig. 1) against the right side of the fabric with the top edge of the hem extending about 7 mm (1/4") to the right side of the folded fabric.

Start to sew slowly on the fold, making sure the needle touches slightly the folded top to catch one or two fabric threads. (2)

Unfold the fabric when hemming is completed and press.

Note:

To make blind hem sewing even easier, use a blind hem foot, available from your SINGER retailer. (See page 6 for part number)



□ Sew 1-step Buttonholes

Buttonhole sewing is a simple process that provides reliable results. However, it is strongly suggested to always make a practice buttonhole on a sample of your fabric and stabilizer.

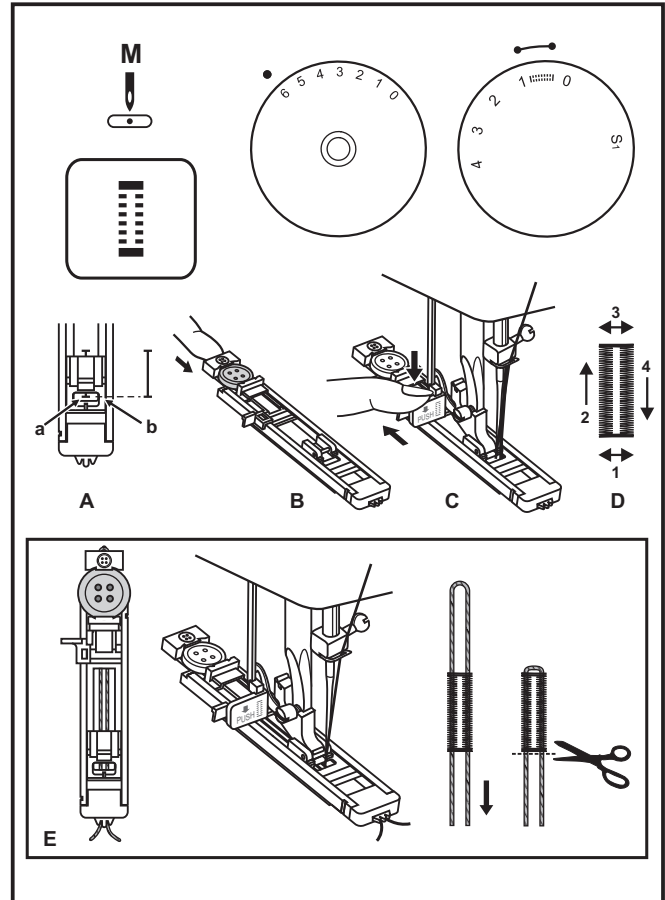
Making a Buttonhole

1. Using tailor's chalk, mark the position of the buttonhole on the fabric.
2. Attach the buttonhole foot and set the Pattern Selector Dial to "1". Set stitch length dial to "10". Set the stitch width at "6". The width however may need to be adjusted according to the project. Sew a test first to determine this.
3. Lower the presser foot aligning the marks on foot with the marks on the fabric (A). (The front bar tack will be sewn first.) (Align the mark on the fabric (a) with the mark on the foot (b).)
4. Open the button plate and insert the button (B).
5. Lower the buttonhole lever and gently push it back (C).
6. While lightly holding the upper thread, start the machine.
7. Buttonhole stitching is done in the order (D).
8. Stop the machine when the buttonhole cycle has completed.

Making a Buttonhole on Stretch Fabrics (E)

When sewing buttonholes on stretch fabric, hook heavy thread or cord under the buttonhole foot. When the buttonhole is sewn the legs will overcast the cord.

1. Mark the position of the buttonhole on the fabric with the tailor's chalk, attach the buttonhole foot, and set the pattern selector dial to "1". Set stitch length dial to "10".
2. Hook the heavy thread onto the back end of the buttonhole foot, then bring the two heavy thread ends to the front of the foot, insert them into the grooves and temporarily tie them there.
3. Lower the presser foot and start sewing.
*Set the stitch width to match the diameter of the gimp thread.
4. Once sewing is completed, gently pull the heavy thread to remove any slack, then trim off the excess.



□ Left and Right Side Balance for Buttonhole

Stitch density on right and left sides of buttonhole can be adjusted by buttonhole balance control dial.

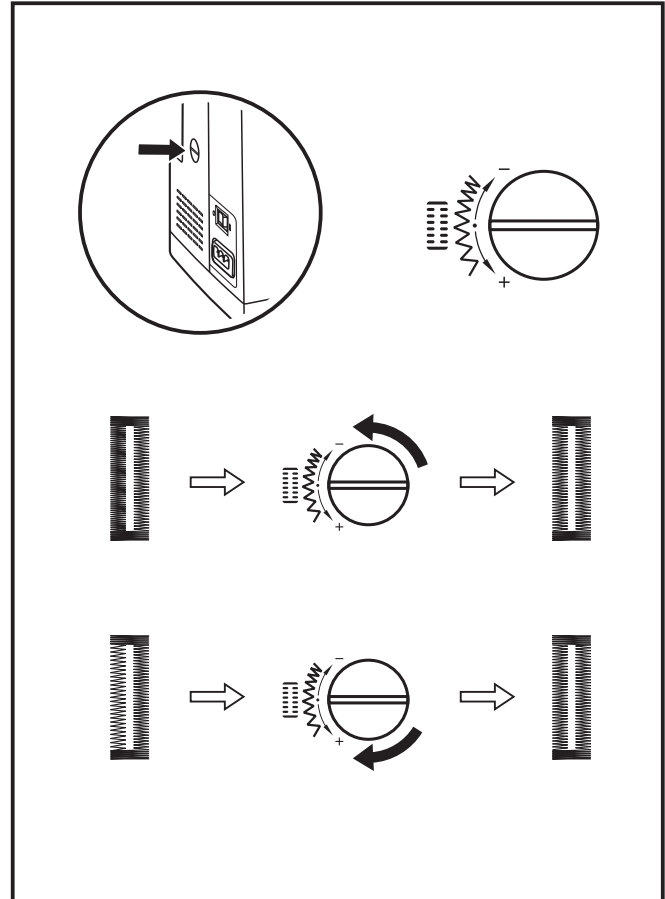
This dial should usually be in a neutral position (between "+" and "-")

If the stitches on the left side of buttonhole are too close together, turn the dial to the left (+).

* Turning dial to the left opens left side.

If the stitches on the right side of the buttonhole are too open, turn the dial to the right (-).

* Turning dial to right closes left side.



□ Sewing on Buttons

Move the drop feed control to right side to lower the feed dogs. (1)

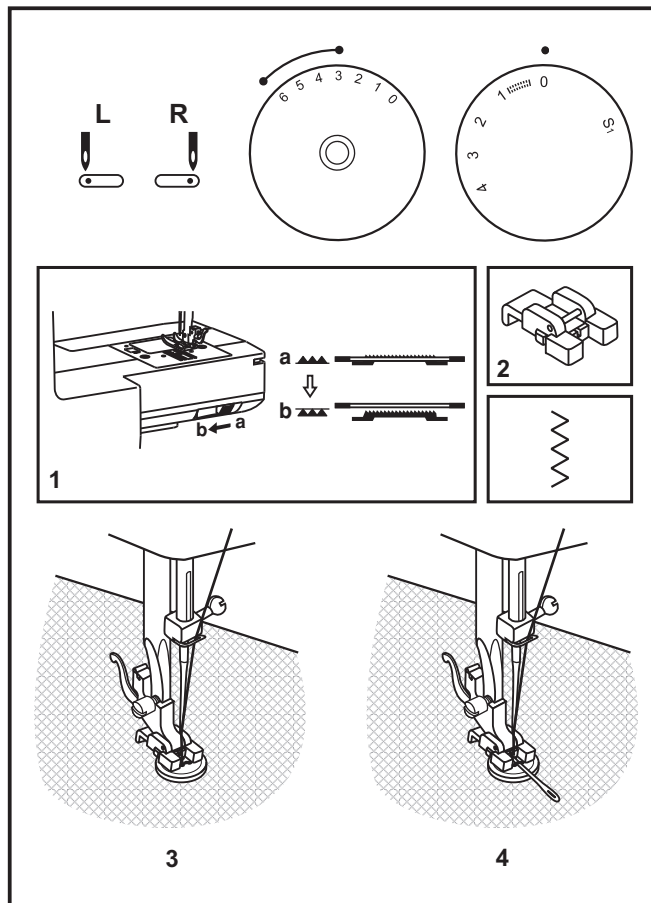
Change the all purpose foot to the button sewing foot. (2)
Set the stitch length to "0".

Place the button and fabric under the Button Sewing foot, as illustrated in (3).

Set the machine for zig-zag stitch, then set the width to number "3" - "6". Turn the handwheel to check that the needle goes cleanly into the left and right holes of the button. Adjust the stitch width, as needed, according to the distance between the holes of the button. Slowly sew on the button with about 10 stitches.

Raise the needle out of the fabric. Set the machine for straight stitch again, then sew a few securing stitches to finish.

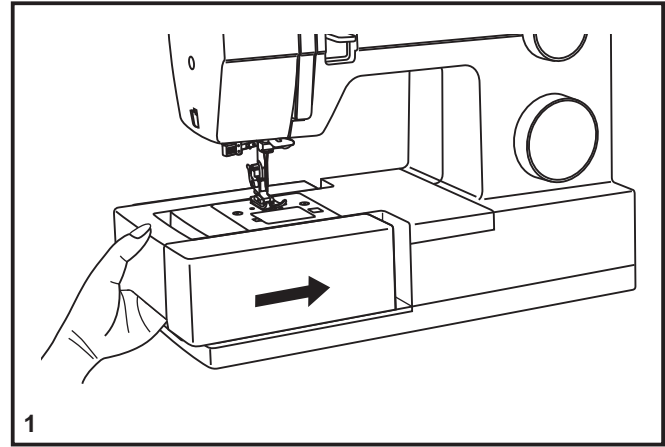
If a shank is required, place a darning needle on top of the button and sew. For buttons with 4 holes, sew through the front two holes first, push the work forward and then sew through the back two holes.



□ Installing the Removable Extension Table

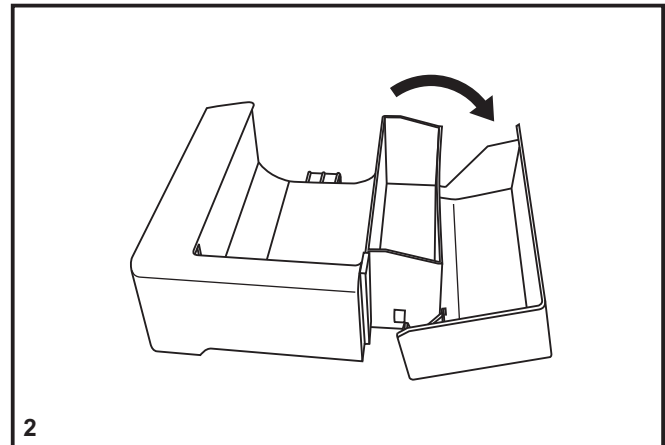
Hold the removable extension table horizontally, and push it in the direction of the arrow. (1)

To remove the extension table, pull it toward the left.



The inside of the removable extension table can be utilized as an accessory box.

To open, flip cover down as shown. (2)



□ Attaching the Presser Foot Shank

Raise the presser bar (a) with the presser foot lifter. Attach the presser foot shank (b) as illustrated. (1)

Attaching the presser foot

Lower the presser foot shank (b) using the presser foot lifter, until the cut-out (c) is directly above the pin (d). (2) The presser foot (f) will engage automatically.

Removing the presser foot

Raise the presser foot using the presser foot lifter. (3)

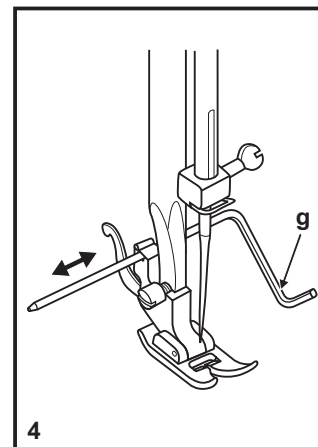
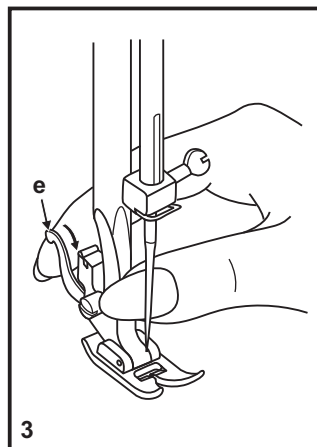
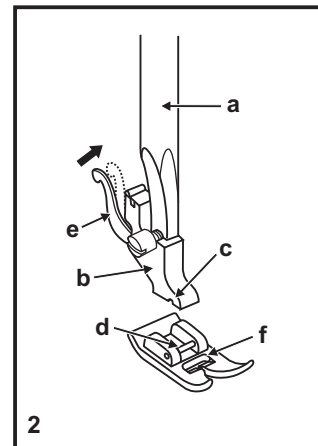
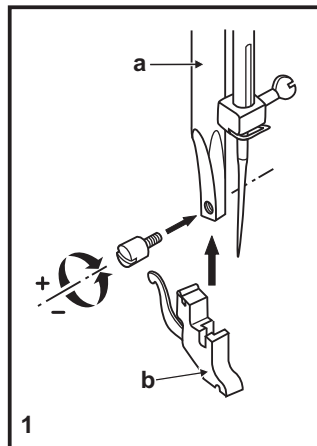
Raise the lever (e) and the foot disengages.

Attaching the edge/ quilting guide

Attach the edge/ quilting guide (g) in the slot as illustrated. Adjust as needed for hems, pleats, quilting, etc. (4)

Attention:

Turn power switch to off ("O") when carrying out any of the above operations!



☐ Needle/ Fabric/ Thread Chart

NEEDLE, FABRIC, THREAD SELECTION GUIDE

NEEDLE SIZE	FABRICS	THREAD
9-11 (70-80)	Lightweight fabrics-thin cottons, voile, silk, muslin, interlocks, cotton knits, tricots, jerseys, crepes, woven polyester, shirt & blouse fabrics.	Light-duty thread in cotton, nylon, polyester or cotton wrapped polyester.
11-14 (80-90)	Medium weight fabrics-cotton, satin, kettlecloth, sailcloth, double knits, lightweight woolens.	Most threads sold are medium size and suitable for these fabrics and needle sizes. Use polyester threads on synthetic materials and cotton on natural woven fabrics for best results. Always use the same thread on top and bottom.
14 (90)	Medium weight fabrics-cotton duck, woolen, heavier knits, terrycloth, denims.	
16 (100)	Heavyweight fabrics-canvas, woolens, outdoor tent and quilted fabrics, denims, upholstery material (light to medium).	
18 (110)	Heavy woolen, overcoat fabrics, upholstery fabrics, some leathers and vinyls.	Heavy duty thread, carpet thread.

IMPORTANT: Match needle size to thread size and weight of fabric.

NEEDLE, FABRIC SELECTION

NEEDLES	EXPLANATION	TYPE OF FABRIC
SINGER® 2020	Standard sharp needles. Sizes range thin to large. 9 (70) to 18 (110).	Natural woven fabrics-wool, cotton, silk, etc. Not recommended for double knits.
SINGER® 2045	Semi-ball point needle, scarfed. 9 (70) to 18 (110).	Natural and synthetic woven fabrics, polyester blends. Knits-polyesters, interlocks, tricot, single and double knits. Also sweater knits, Lycra®, swimsuit fabric, elastic.
SINGER® 2032	Leather needles. 12 (80) to 18 (110).	Leather, vinyl, upholstery. (Leaves smaller hole than standard large needle.)

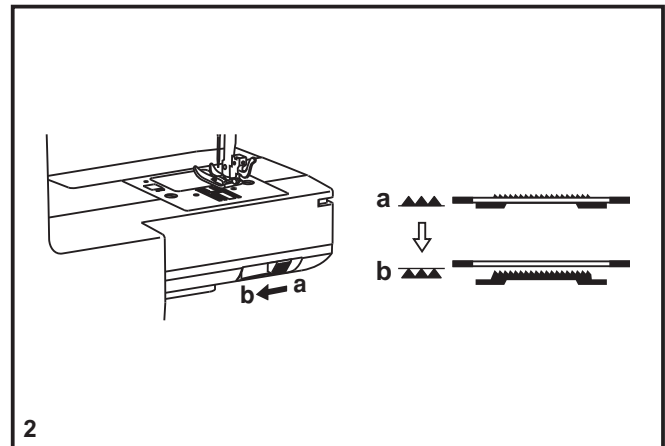
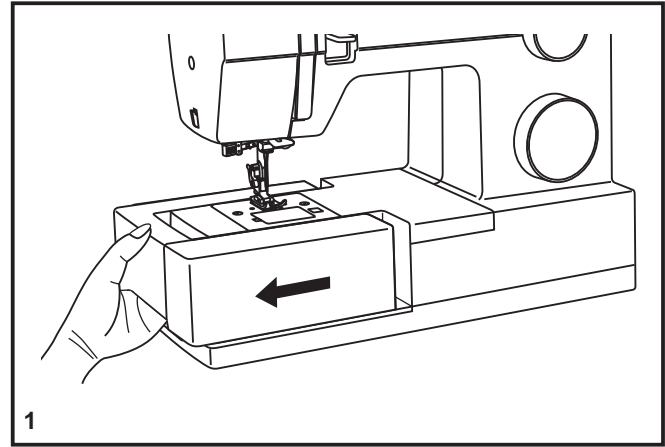
Note :

1. For best sewing results always use genuine SINGER® needles.
2. Replace needle often (approximately every other garment) and/ or at first thread breakage or skipped stitches.

□ How To Drop Feed Dog

For ordinary sewing, keep the feed dog up, for freehand embroidery, sewing on buttons and darning, drop the feed dog.

To raise (a) and lower (b) feed dog. (2)



□ Inserting & Changing Needles

Change the needle regularly, especially if it is showing signs of wear and causing problems. For best sewing results always use SINGER® Brand Needles.

Insert the needle as illustrated as follows:

- A. Loosen the needle clamp screw and tighten again after inserting the new needle. (1)
- B. The flat side of the shaft should be towards the back.
- C/D. Insert the needle as far as it will go.

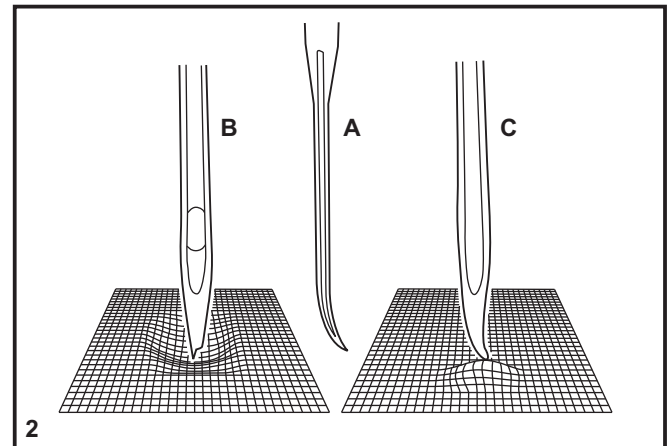
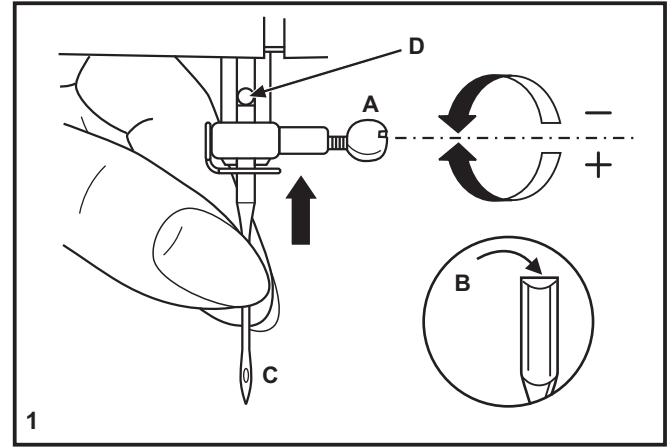
Attention:

Turn power switch to off ("O") before inserting or removing the needle.

Needles must be in perfect condition. (2)

Problems can occur with:

- A. Bent needles
- B. Damaged points
- C. Blunt needles



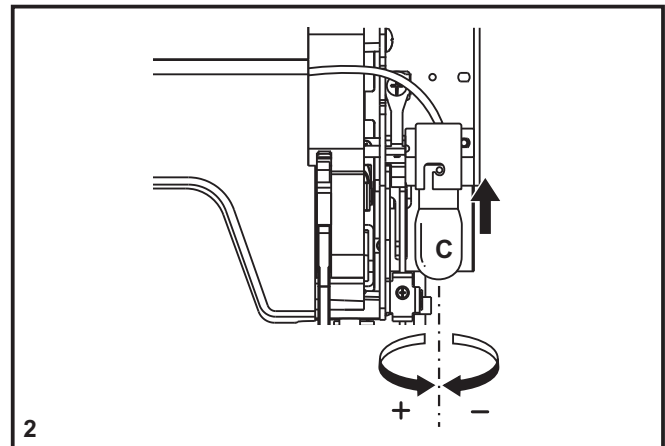
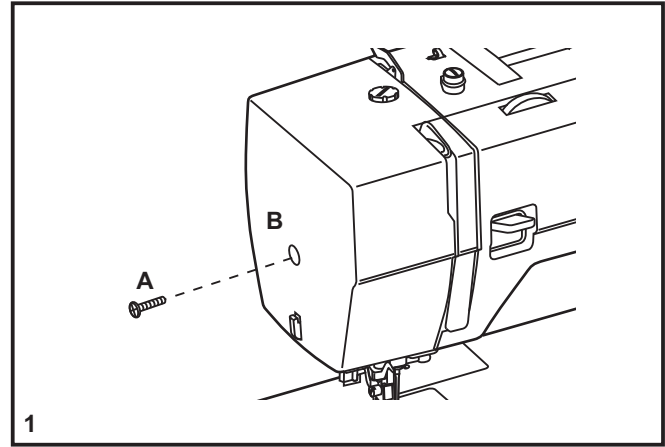
□ Changing the Bulb

Disconnect the machine from the power supply by removing the plug from the main socket!

Replace bulb with same type rated 15 watts (110-120V area / 220-240V area).

- Loosen screw (A) as illustrated. (1)
- Remove the face plate (B).
- Unscrew the bulb and install a new one (C). (2)
- Replace the face plate and tighten screw.

Should there be any problem, consult your SINGER® retailer.



□ Troubleshooting Guide

Problem	Cause	Correction
Upper thread breaks	<ol style="list-style-type: none">1. The machine is not threaded correctly.2. The thread tension is too tight.3. The thread is too thick for the needle.4. The needle is not inserted correctly.5. The thread is wound around the spool holder pin.6. The needle is damaged.	<ol style="list-style-type: none">1. Rethread the machine.2. Reduce the thread tension. (lower number)3. Select a larger needle.4. Remove and reinsert the needle. (flat side towards the back)5. Remove the reel and wind thread onto reel.6. Replace the needle.
Lower thread breaks	<ol style="list-style-type: none">1. The bobbin case is not inserted correctly.2. The bobbin case is threaded wrong.3. The lower thread tension is too tight.	<ol style="list-style-type: none">1. Remove and reinsert the bobbin case and pull on the thread. The thread should pull easily.2. Check both bobbin and bobbin case.3. Loosen lower thread tension as described.
Skipped stitches	<ol style="list-style-type: none">1. The needle is not inserted correctly.2. The needle is damaged.3. The wrong size needle has been used.4. The foot is not attached correctly.	<ol style="list-style-type: none">1. Remove and reinsert needle. (flat side towards the back)2. Insert a new needle.3. Choose a needle to suit the thread and fabric.4. Check and attach correctly.
Needle breaks	<ol style="list-style-type: none">1. The needle is damaged.2. The needle is not correctly inserted.3. Wrong needle size for the fabric.4. The wrong foot is attached.	<ol style="list-style-type: none">1. Insert a new needle.2. Insert the needle correctly. (flat side towards the back)3. Choose a needle to suit the thread and fabric.4. Select the correct foot.
Loose stitches	<ol style="list-style-type: none">1. The machine is not correctly threaded.2. The bobbin case is not correctly threaded.3. Needle/ fabric/ thread combination is wrong.4. Thread tension wrong.	<ol style="list-style-type: none">1. Check the threading.2. Thread the bobbin case as illustrated.3. The needle size must suit the fabric and thread.4. Correct the thread tension.
Seams gather or pucker	<ol style="list-style-type: none">1. The needle is too thick for the fabric.2. The stitch length is adjusted wrong.3. The thread tension is too tight.	<ol style="list-style-type: none">1. Select a finer needle.2. Readjust the stitch length.3. Loosen the thread tension.
Uneven stitches, uneven feed	<ol style="list-style-type: none">1. Poor quality thread.2. The bobbin case is threaded wrong.3. Fabric has been pulled.	<ol style="list-style-type: none">1. Select a better quality thread.2. Remove bobbin case, thread and insert correctly.3. Do not pull on the fabric while sewing, let the feed dogs pull the fabric under the foot.
The machine is noisy	<ol style="list-style-type: none">1. Lint or oil have collected on the hook or needle bar.2. The needle is damaged.	<ol style="list-style-type: none">1. Clean the hook and feed dog as described.2. Replace the needle.
The machine jams	Thread is caught in the hook.	Remove the upper thread and bobbin case, turn the handwheel backwards and forwards by hand and remove the thread.



Please note that on disposal, this product must be safely recycled in accordance with relevant National legislation relating to electrical/electronic products. If in doubt please contact your retailer for guidance.





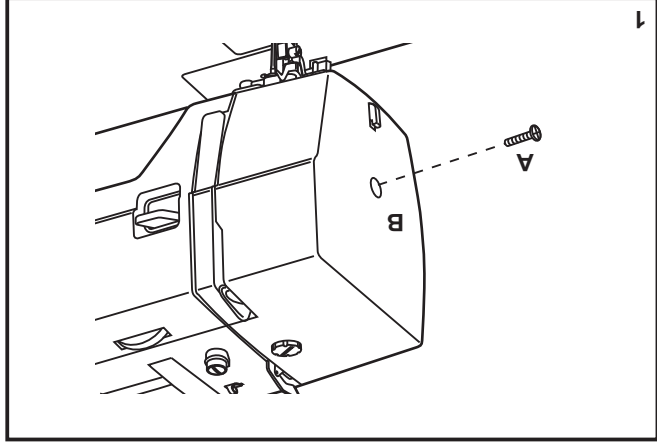
Harap perhatikan bahwa pada saat dibuang, produk ini harus didaur ulang dengan aman sesuai dengan perundangan nasional yang berlaku mengenai produk listrik/elektronik. Jika anda ragu hubungi dealer anda.

Masalah	Penyebab	Perbaikan
Masalah atas putus	1. Mesin tidak terpasang dengan benar 2. Kecepatan benang terlalu kencang 3. Benang terlalu tebal untuk jarum 4. Benang tidak dimasukkan dengan benar 5. Benang terguling disekiling pasak penahan spul 6. Jarum rusak	1. Pasang benang kembali 2. Kurangi kecepatan benang (Angka lebih rendah) 3. Pilih jarum lebih besar 4. Lepas & masukkan kembali jarum (sisi rata dibelakang) 5. Lepaskan rol dan gulung benang ke rol. 6. Ganti jarum
Benang bawah putus	1. Rumah spul (sekoci) tidak dimasukkan dengan benar 2. Rumah spul (sekoci) tidak terpasang dengan benar 3. Kecepatan benang terlalu kencang	1. Lepas dan masukkan kembali rumah spul (sekoci) dan tarik keluar benang 2. Periksa spul maupun rumah spul (sekoci) 3. Kendurkan kecepatan benang bawah seperti dijelaskan
Jahitan loncat - loncat	1. Jarum tidak terpasang dengan benar 2. Jarum rusak 3. Ukuran dan jenis jarum salah 4. Sepatu tidak terpasang dengan benar	1. Lepas & masukkan kembali jarum (sisi rata dibelakang) 2. Masukkan jarum baru 3. Pilih jarum yang cocok dengan benang dan kain 4. Periksa dan pasang dengan benar
Jarum patah	1. Jarum rusak 2. Jarum tidak terpasang dengan benar 3. Ukuran jarum tidak cocok dengan kain 4. Sepatu yang dipasang salah	1. Masukkan jarum baru 2. Masukkan benang dengan benar (sisi rata dibelakang) 3. Pilih jarum yang cocok dengan benang dan kain 4. Pilih sepatu yang benar
Jahitan longgar	1. Mesin tidak terpasang dengan benar 2. Rumah spul (sekoci) tidak terpasang dengan benar 3. Kompinas jarum/benang/kain salah 4. Kecepatan benang tidak tepat.	1. Periksa pemasangan benang 2. Pasang benang ke spul seperti dijelaskan 3. Ukuran jarum harus cocok dengan kain dan benang 4. Betulkan kecepatan benang
Jahitan dan tarikan tidak rata	1. Benang berkualitas buruk 2. Rumah spul (sekoci) tidak terpasang dengan benar 3. Kain terarik	1. Pilih benang berkualitas lebih baik 2. Keluarkan rumah spul (sekoci), pasang & masukkan benang dengan benar 3. JANGAN tarik kain saat menjahit, biarkan kain ditarik oleh mesin
Mesin bisung	1. Kain tirus dan minyak terkumpul pada pengait 2. Jarum rusak 3. ataugagan jarum	1. Bersihkan pengait dan gigi seperti dijelaskan. 2. Ganti jarum
Mesin macet	Benang tersangkut dipengait	Lepaskan benang atas dan rumah spul (sekoci), putar roda tangan mundur maju dan minyak seperti dijelaskan

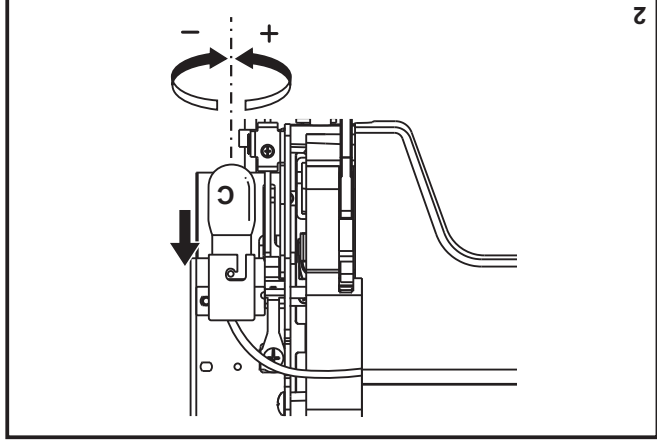
□ Mengganti Bohlam

Putuskan sambungan listrik mesin dari catu daya dengan mencabut steker dari soket utama!
Gantilah bohlam dengan tipe sama yang berdaya nominal 15 watts (110-120V area / 220-240V area).

- Kendurkan sekrup (A) seperti ditunjukkan pada gambar. (1)
 - Lepaskan penutup depan (B).
 - Lepaskan bohlam dan pasang bohlam baru (C). (2)
 - Pasang kembali plat depan dan kencangkan sekrup.
- Jika timbul masalah, hubungi dealer SINGER® anda.



1



2

Memasukkan Dan Menganti Jarum

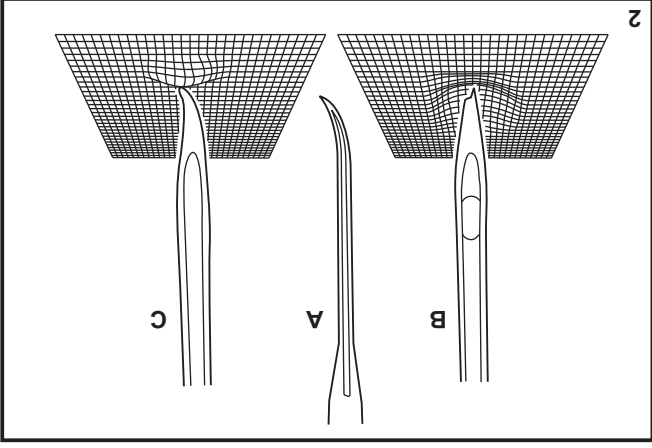
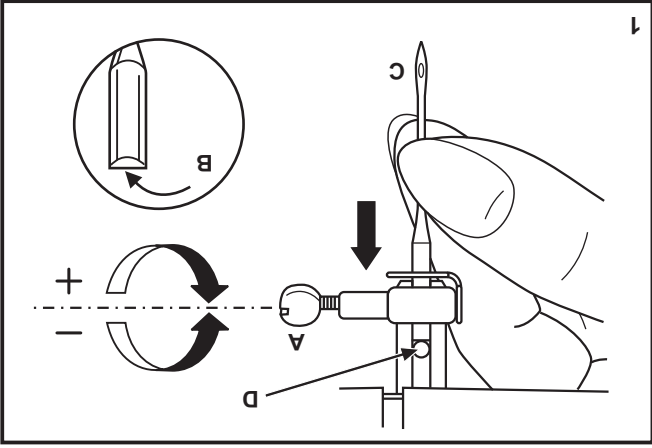
Gantilah jarum secara teratur, terutama jika jarum menunjukkan tanda-tanda aus dan menyebabkan masalah. Untuk memperoleh jahitan terbaik, selalu gunakan jarum Merek SINGER®.

Masukkan jarum seperti ditunjukkan pada gambar berikut ini:
A. Kendurkan sekrup klem jarum dan kecangkan kembali sesudah memasukkan jarum baru. (1)
B. Sisi rata batang jarum harus menghadap belakang.
C/D. Masukkan jarum keatas setinggi-tingginya.

Perhatian:
Putar saklar listrik ke mati ("O") sebelum memasukkan atau melepas jarum.

Jarum harus dalam kondisi sempurna. (2)

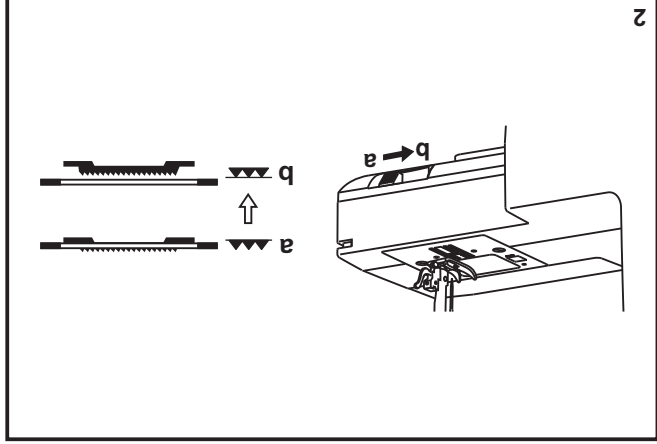
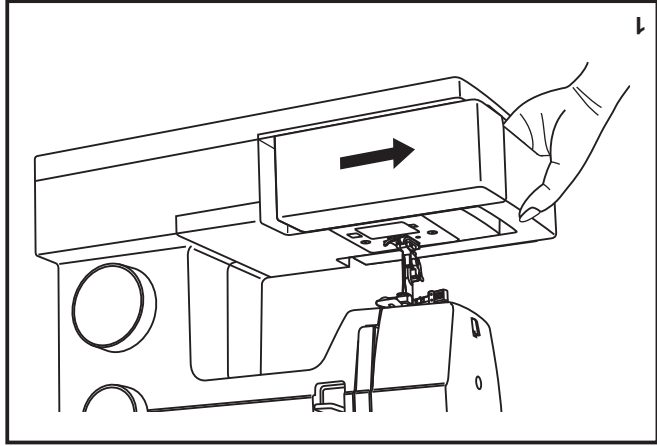
Masalah dapat terjadi karena:
A. Jarum bengkok
B. Ujung jarum rusak
C. Jarum tumpul



□ Bagaimana Memindah Pengatur Gigi

Untuk proses menahit biasa/normal, posisikan pengatur gigi ke atas, sedangkan untuk proses pembordiran, menahit kancing baju dan menisik, posisikan pengatur gigi ke bawah.

Cara mengubah posisi pengatur gigi ke atas (a) dan ke bawah (b). (2)



TabelJarium / Kain / Benang

PEDOMAN PEMILIHAN JARUM, KAIN, DANBENANG

UKURAN JARUM	KNIA	BGNANE
9-11 (70-80)	Kain tipis - katun tipis, pual, sutera, muslin, interlock, rajutan katun, tricot, jersey, krep, polyester tenun, kain kaos dan blus.	Benang tipis pada katun, nylon, polyester atau polyester berselubung katun.
11-14 (80-90)	Kain sedang - katun, satin, kettlecloth, sailcloth, rajut ganda, wol tipis.	Sebagian besar benang yang dijual berukuran medium dan cocok untuk kain dan ukuran jarum ini. Gunakan benang polyester pada bahan sintesis dan katun pada kain tenun alam untuk memperoleh hasil terbaik. Selalu gunakan benang yang sama di atas dan bawah.
14 (90)	Kain sedang - cotton duck, wol, rajut tebal, terrycloth, denim.	
16 (100)	Kain tebal - canvas, wol, kain tenda dan selimut luar ruang, denim, bahan pelapis (tipis hingga sedang).	
18 (110)	Wol tebal, kain mantel, kain pelapis, beberapa kulit dan vinyl.	Benang tebal, benang karpet.

PENTING: Cocokkan ukuran jarum dengan ukuran benang dan berat kain.

PEMILIHAN JARUM DAN KAIN

JARUM	KETERANGAN	JENIS BENANG
SINGER® 2020	Jarum tajam standar. Ukuran berkisar tipis hingga besar. 9 (70) hingga 18 (110).	Kain tenun alam - wol, katun, sutera, dan lain-lain. Tidak direkomendasikan untuk rajutan ganda.
SINGER® 2045	Jarum semi-ballpoint, bertakik 9 (70) hingga 18(110).	Kain tenun alam dan sintesis, campuran polyester. Rajutan-polyester, interlocks, tricot, rajutan tunggal dan ganda.
SINGER® 2032	Jarum kulit . 12 (80) hingga 18 (110).	Kulit, vinyl, bahan pelapis. (Meninggalkan lubang lebih kecil dibanding jarum besar standar.)

Catatan:

1. Untuk memperoleh hasil jahitan terbaik, selalu gunakan jarum SINGER® asli.
2. Sering lakukan penggantian jarum (tiap/per pakain) dan atau tiap kali benang putus atau jahitan loncat-loncat.

□ Memasang Palang Sepatu Penindas

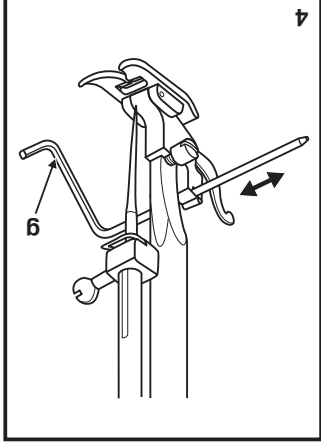
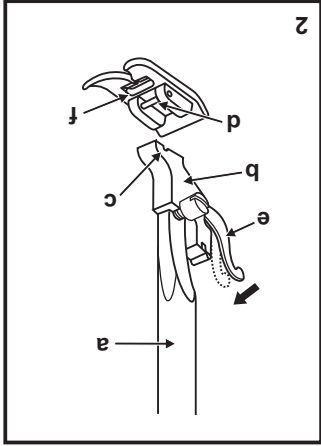
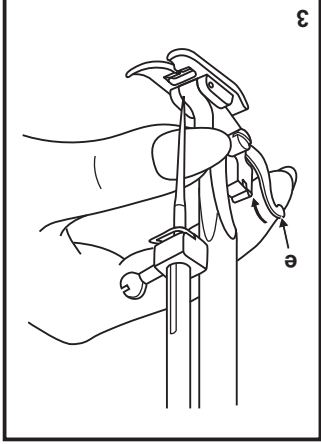
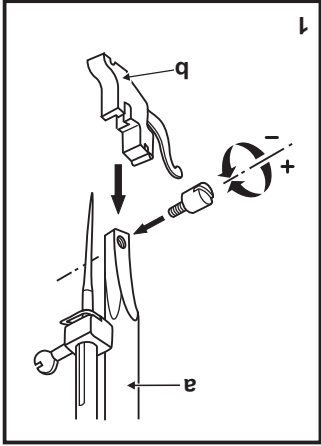
Naikkan gagang sepatu penindas (a) dengan tuas sepatu penindas. Pasang palang sepatu penindas (b) seperti ditunjukkan pada gambar. (1)

Memasang sepatu penindas
Turunkan palang sepatu penindas (b) menggunakan tuas sepatu penindas, sampai ceruk/pengait (c) terletak tepat diatas pasak (d). (2) Sepatu penindas (f) akan mengunci secara otomatis.

Melepas sepatu penindas
Naikkan sepatu penindas menggunakan tuas sepatu penindas. (3)
Naikkan tuas (e) maka sepatu akan lepas.

Memasang siku/pengantar quilts
Pasang siku/pengantar quilts (g) pada lubang seperti ditunjukkan pada gambar. Sesuaikan sepenuhnya untuk kelim, lipatan, quilting, dan lain-lain. (4)

Perhatian:
Putar saklar listrik ke mati ("O") ketika melakukan semua operasi diatas!



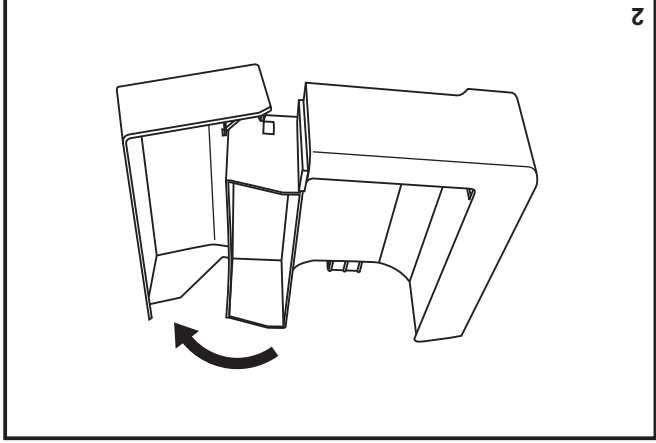
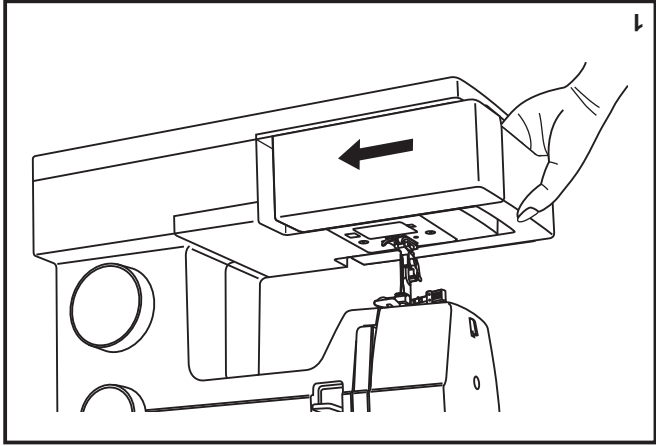
Memasang Meja Perpanjangan

Pegang meja perpanjangan secara horizontal, dan dorong kearah panah. (1)

Untuk melepas meja perpanjangan, tarik ke kiri.

Bagian dalam meja perpanjangan dapat digunakan sebagai kotak aksesoris.

Untuk membuka, balikkan tutup kebawah seperti ditunjukkan pada gambar. (2)



□ Menjahit Kancing Baju

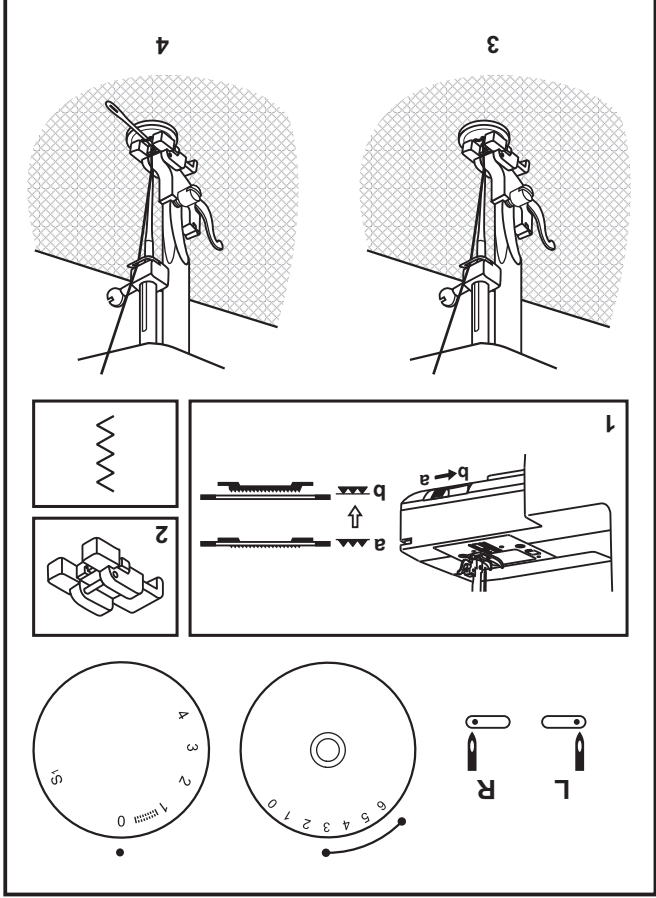
Pindahkan posisi pengatur gigi ke arah kanan untuk menurunkan posisi pengatur gigi. (1)

Ganti sepatu serbaguna dengan sepatumenjahit kancing. (2)
Setel panjang jahitan ke "0".

Tempatkan tombol dan kain di bawah sepatu jahit, seperti yang di gambarkan pada gambar (3).

Atur mesin untuk jahitan zig-zag, kemudian atur lebar ke nomor "3" - "6". Putar roda tangan untuk memeriksa bahwa jarum berjalan bersih ke dalam lubang kiri dan kanan. Sesuaikan lebar jahitan yang diperlukan, sesuai dengan jarak lubang yang diinginkan. Jahit sebanyak 10 jahitan pertama. Angkat jarum keluar dari kain. Atur mesin untuk menjahit lurus lagi, kemudian jahit beberapa jahitan untuk menyelesaikannya.

Jika diperlukan palang, pasang jarum tistik di atas kancingdan menjahitlah. Untuk kancing dengan 4 lubang,menjahitlah diatas dua lubang depan dahulu, dorong kainkedepan dan kemudian menjahit diatas dua lubangbelakang.

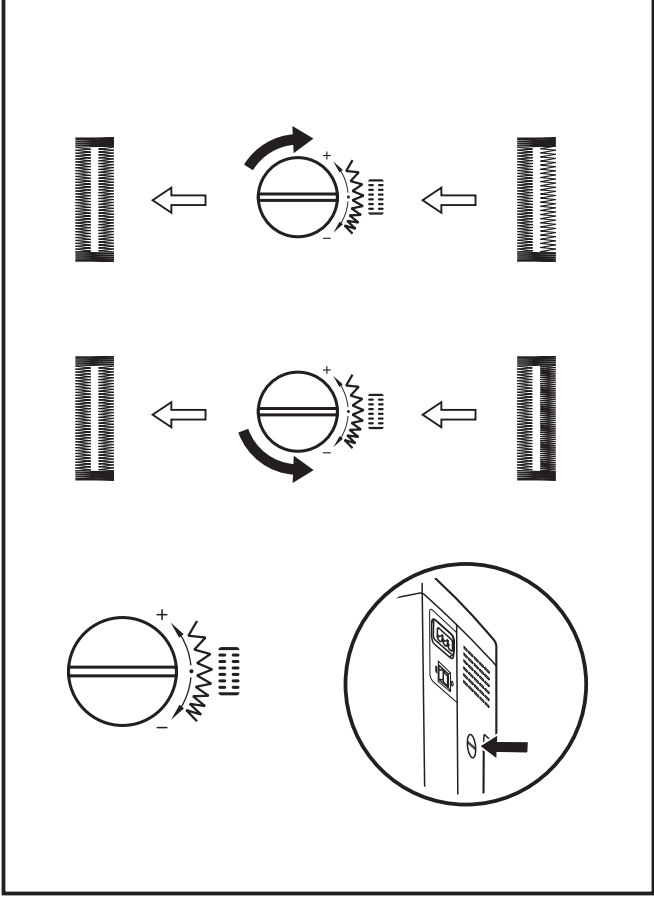


□ Keseimbangan Sisi Kiri Dan Kanan Pada Pembuatan Lubang Kancing

Keretakan jahitan sisi kiri dan kanan lubang kancing dapat disesuaikan dengan menggunakan tombol pengatur (antara "+" dan "-").

Apabila jahitan sebelah kiri dari lubang kancing terlalu rekat, maka ubah posisi tombol ke kiri (+).
* Mengubah posisi tombol ke arah kiri akan membuka sisi kiri.

Apabila jahitan sebelah kiri dari lubang kancing terlalu renggang, maka ubah posisi tombol ke kanan (-).
* Mengubah posisi tombol ke arah kanan akan membuka sisi kanan.



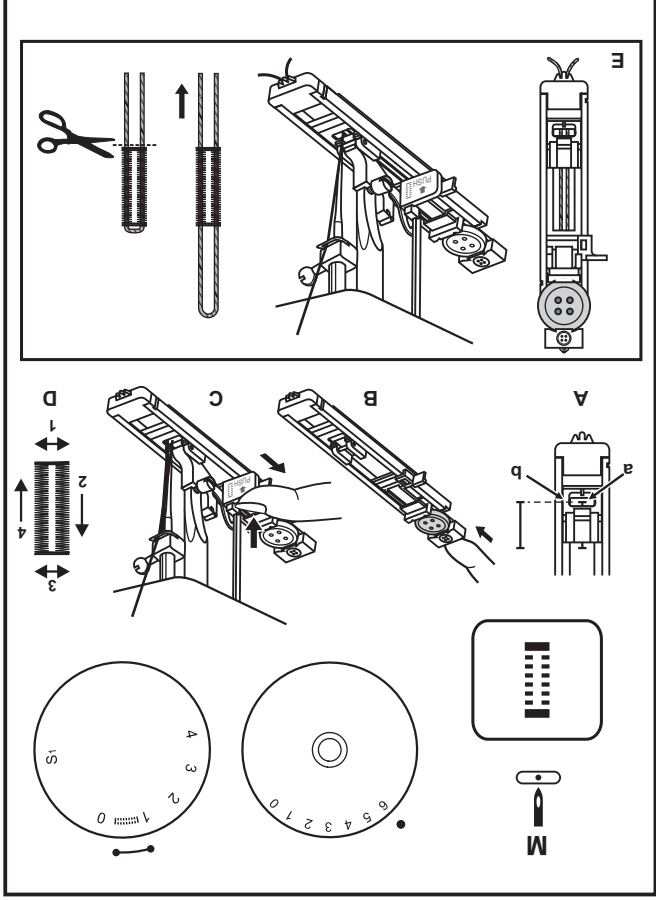
☐ Satu Langkah Menjahit Lubang Kancing

Menjahit lubang kancing merupakan proses mudah yang memberikan hasil yang andal. Tetapi, anda disarankan untuk melakukan percobaan menjahit lubang kancing terlebih dulu pada contoh kain anda dan stabilizer.

Memuat Lubang Kancing

1. Dengan menggunakan kapur penjahit, tandai posisi lubang kancing diatas kain.
2. Pasang sepatu lubang kancing dan setel Cakram Angka Selektor ke "6". Setel cakram angka panjang jahitan ke "1". Setel lebar jahitan pada "6". Tetapi lebar mungkin harus disesuaikan dengan bahan/pakaian yang akan dijahit. Lakukan percobaan menjahit terlebih dulu untuk mengetahui hal ini.
3. Turunkan sepatu penindas dengan meluruskan tanda pada sepatu dengan tanda pada kain (A). (Tisikan depan akan dijahit terlebih dulu.) (Luruskan tanda pada kain (a) dengan tanda pada sepatu (b).)
4. Buka plat kancing dan masukkan kancing (B).
5. Turunkan tuas lubang kancing danpelan-pelan dorong ke belakang (C).
6. Dengan sedikit memegang benang atas, nyatakan mesin.
7. Menjahit lubang kancing dilakukan sesuai urutan(D).
8. Hentikan mesin jika lingkaran lubang kancing selesai.

- ### Memuat Lubang Kancingpada Kain Stretch (E)
- Ketika menjahit lubang kancing pada kain stretch, sangkutkan benang tebal atau tali dibawah sepatu lubang kancing. Ketika lubang kancing dijahit, kaki akan mengobras tali.
1. Tandai posisi lubang kancing pada kain dengan kapur penjahit, pasang sepatu lubang kancing, dan setel cakram angka selektor ke "1". Setel cakram angka panjang jahitan ke "1". Setel cakram angka panjang jahitan ke "1".
 2. Sangkutkan benang tebal ke ujung belakang sepatu lubang kancing, lalu bawa kedua ujung benang tebal ke depan sepatu, masukkan keilm ke alur dan ikatkan kedua benang tersebut disana untuk sementara.
 3. Turunkan sepatu penindas dan mulailah menjahit.
 4. *Setel lebar jahitan sampai cocok dengan diameter benang tisikan.
 4. Sesudah selesai menjahit, pelan-pelan tarik benang tebal agar tidak ada yang longgar, lalu potong kelebihanannya.



☐ Keilm Buta

Untuk keilm pada gorden, celana panjang, rok dan lain-lain.

..... Keilm buta untuk kain stretch.

..... Keilm buta untuk kain rapat.

Setel Cakram Angka Panjang Jahitan dengan kisaran yang ditunjukkan pada diagram dikanan. Tetapi, keilm buta biasanya dijahit dengan pengaturan panjang jahitan lebih panjang. Setel Cakram Angka Lebar Jahitan dengan pengaturan yang tepat untuk berat/jenis kain yang dijahit, dalam kisaran yang ditunjukkan pada diagram di kanan halaman ini. Jahitan lebih sempit biasanya digunakan untuk kain lebih ringan dan jahitan lebih lebar digunakan untuk lebih berat. Lakukan percobaan menjahit terlebih dulu untuk memastikan pengaturan mesin cocok dengan kain.

Keilm buta (sum):

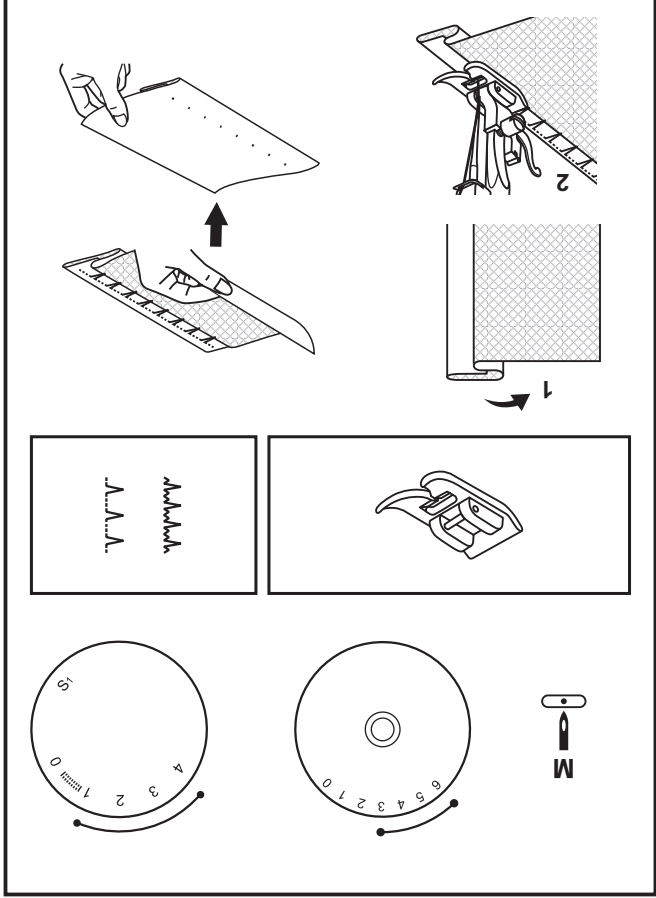
Balikkan keilm keatas dengan lebar yang diinginkan dan tekan. Lipat kebelakang (seperti ditunjukkan pada Gambar 1) ke sisi kanan kain dengan pinggir an atas keilm melebar kira-kira 7 mm (1/4") ke sisi kanan lipatan kain.

Mulailah menjahit perlahan diatas lipatan, pastikan jarum sedikit menentuh lipatan atas untuk menangkap satu atau dua benang kain.(2)

Bentangkan kain jika pengeliman sudah selesai dan tekan.

Catatan:

Untuk mempermudah menjahit keilm buta(sum), gunakan sepatu keilm buta(sum), yang tersedia di dealer SINGER® anda. (Lihat halaman 6 untuk nomor sukucadang)



Memilih Pola Jahitan Stretch

Pola Jahitan Stretch ditunjukkan dengan warna biru pada Cakram Angka Selektor Pola ke pola yang diinginkan. Lalu, putar Cakram Angka Panjang Jahitan ke indikator yang bertanda "S1". Meskiterdapat beberapa pola jahitan, inilah dua contohnya:

Jahitan Stretch Lurus (1)

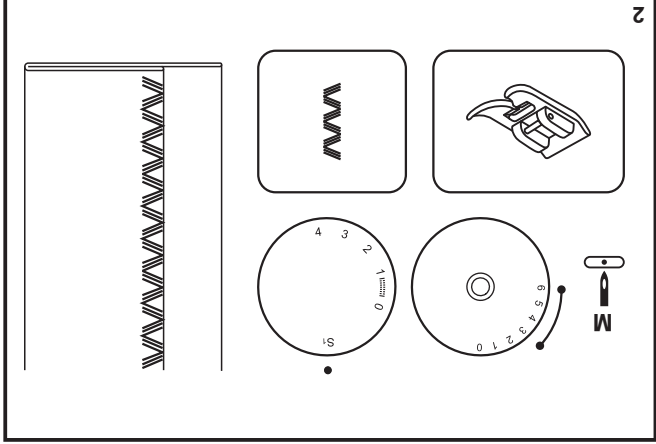
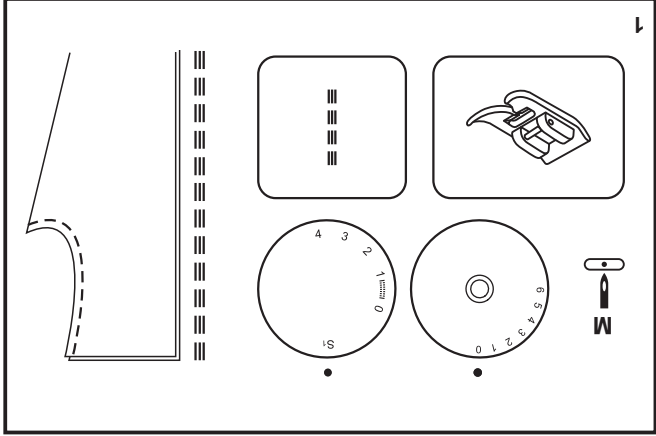
Setel Cakram Angka Selektor Pola ke "111111".

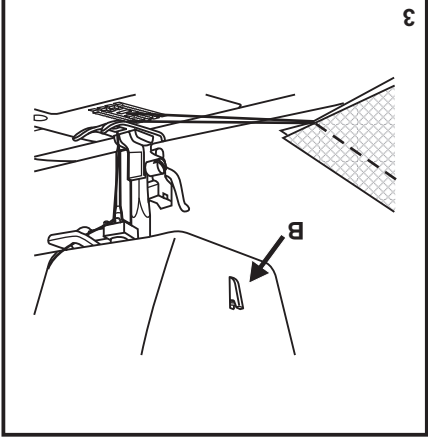
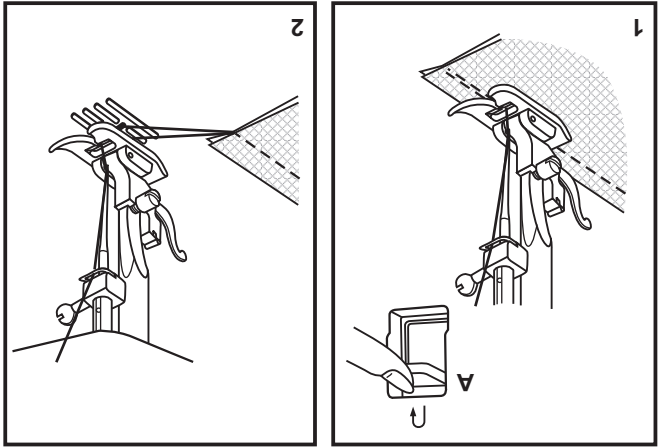
Jahitan ini digunakan untuk menambah tiga jahitan penguat pada kelim stretch dan pakain ketat. Mesin akan menjahit dua jahitan maju dan satu jahitan mundur.

Ric Rac (2)

Setel cakram angka selektor pola ke "111111".

Setel Cakram Angka Lebar Jahitan antara "3" dan "6". Jahitan Ric Rac cocok untuk kain rapat seperti denim, corduroy, popelin, linen, dan lain-lain.





Menjahit Mundur

Untuk memperkuat awal dan akhir kelim, tekan tuas menjahit mundur kebawah (A). Jahitlah beberapa jahitan mundur. Lepaskan tuas dan mesin akan menjahit maju kembali. (1)

Mengeluarkan Kain

Putar roda tangan kearah anda (bertlawanan arah jarum jam) agar tuas pengencang benang naik ke posisi paling tinggi, naikan sepatu penindas dan keluarkan kain di belakang jarum dan sepatu penindas. (2)

Memotong Benang

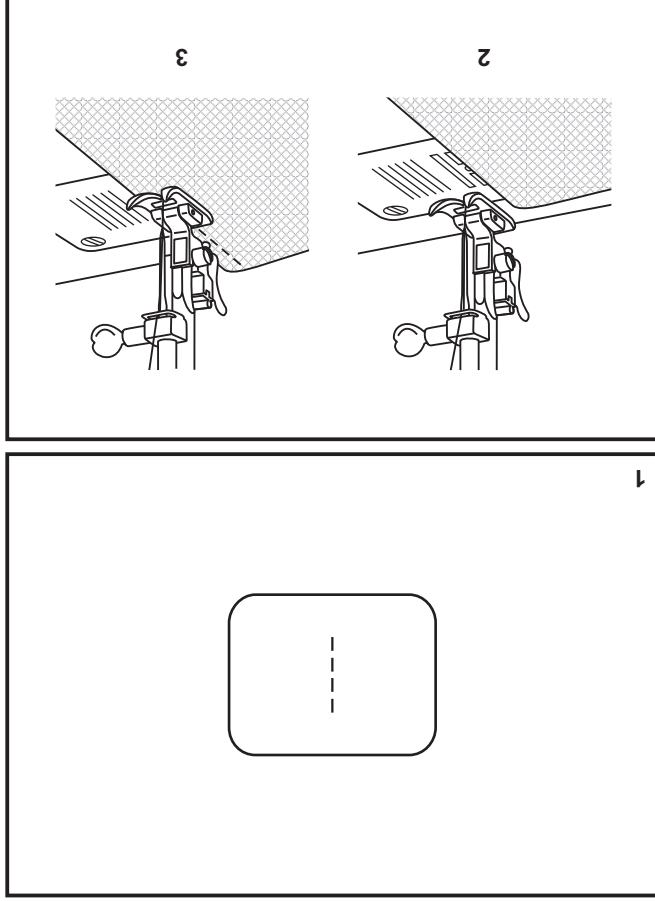
Tarik benang di bawah dan di belakang sepatu penindas. Antar benang ke samping plat depan dan memasuki pemotong benang (B). Tarik benang kebawah untuk memotong. (3)

□ Menjahit Jahitan Lurus

Untuk mulai menjahit, setel mesin untuk jahitan lurus. (1)

Letakkan kain dibawah sepatu penindas dengan pinggiran kain melipat keatas pada garis pedoman kelim yang diinginkan pada plat jarum. (2)

Turunkan tuas sepatu penindas, dan kemudian injak pedal/trap (injakan dinamo) untuk mulai menjahit. (3)



□ Tombol Panjang & Lebar Jahitan

Fungsi Cakram Angka Lebar Jahitan

Lebar jahitan zigzag maksimum untuk menjahit zigzag adalah 6mm; tetapi, lebar dapat dikurangi pada semua pola. Lebar bertambah jika anda memutar cakram angka zigzag dari "0" - "6". (1)

Fungsi cakram angka panjang jahitan ketika menjahit zigzag

Setel Cakram Angka Selektor Pola ke zigzag.

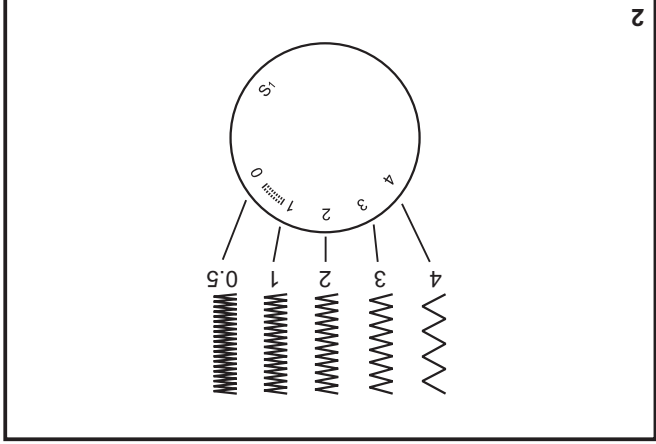
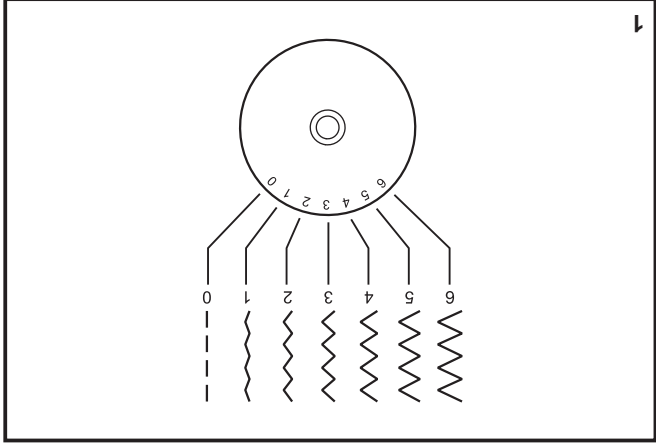
Kepadatan jahitan zigzag meningkat jika selingan cakram angka panjang jahitan mendekati "0".

Standar jahitan zig-zag biasanya disesuaikan pada tingkatan "3" atau di bawahnya. (2)

Jahitan zigzag padat disebut jahitan satin. (2)

Fungsi cakram angka panjang jahitan ketika menjahit lurus

Untuk menjahit jahitan lurus, putar Cakram Angka Selektor Pola ke pengaturan jahitan lurus. Putar Cakram Angka Panjang Jahitan, dan panjang tiap jahitan akan memendek ketika cakram angka mendekati "0". Panjang tiap jahitan akan meningkat ketika cakram angka mendekati "4". Pada umumnya, gunakan panjang jahitan lebih panjang ketika menjahit kain lebih berat atau ketika menggunakan jarum atau benang lebih tebal. Gunakan panjang jahitan lebih pendek ketika menjahit kain lebih ringan atau ketika menggunakan jarum atau benang lebih halus.

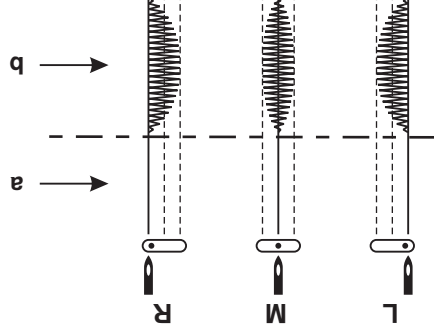


□ Tombol Tiga Posisi Jarum

Posisi Jarum dapat diubah dengan menggunakan "Tombol tiga posisi jarum". Untuk jahitan normal maka posisi jarum berada pada posisi tengah. Sedangkan untuk jahitan tepi atau jahitan garis paralel atas, posisi jarum disesuaikan ke posisi kiri atau kanan. Untuk jahitan jarum ganda/kembar, posisi jarum disesuaikan d posisi tengah.

L. Posisi Jarum Kiri
M. Posisi Jarum Tengah
R. Posisi Jarum Kanan

a. Jahitan lurus
b. Jahitan zig-zag



□ Bagaimana cara Memilih Pola

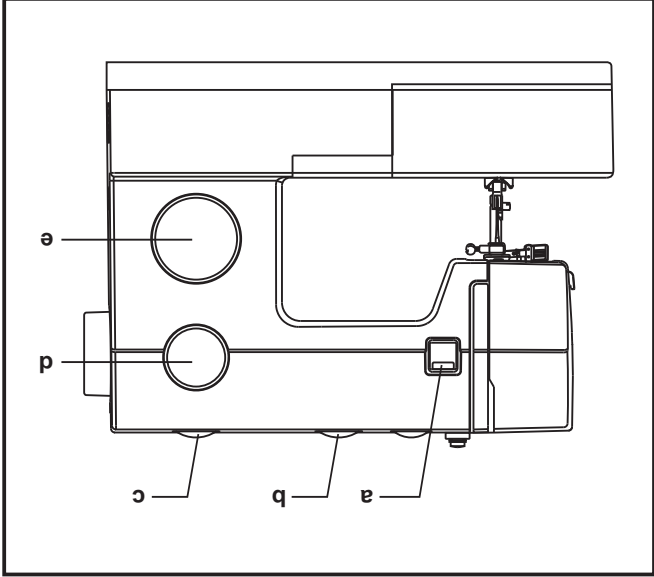
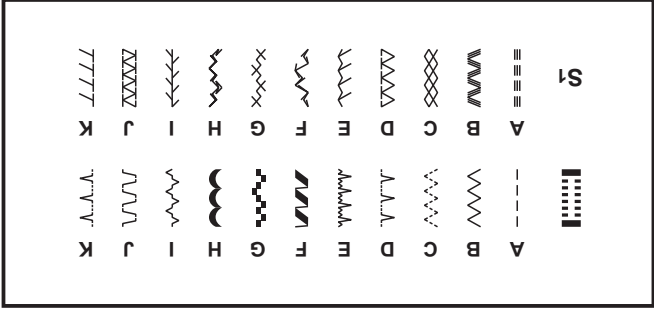
Diagram pada halaman ini memperlihatkan pola ahitan yang tersedia pada mesin.

Jahitan dibagian atas diagram di tunjukan selector warna abu-abu. Untuk memilih pola yang di tunjukan oleh selector warna abu-abu, putar selector. (e) Gunakan selector panjang untuk suatu proyek. Gunakan selector lebar (c) untuk menyesuaikan lebar jahitan yang diinginkan.

Jahitan di baris bawah dari diagram ditunjukkan pada selector pola warna biru. Biru menunjukkan untuk pola jahitan perenggangan, dan informasi tentang cara menjahit pola-

untuk menyesuaikan lebar jahitan sesuai kebutuhan.

- a. Tuas menjahit mundur
- b. Tombol tiga posisi jarum
- c. Cakram angka lebar jahitan
- d. Cakram angka panjang jahitan
- e. Cakram angka selector pola



Kekuatan Benang

Menaikkan Tension Benang

Setingan dasar kekuatan benang atas: "4"; (1)

Untuk meningkatkan kekuatan, putar cakram angka ke angka lebih tinggi berikutnya.

Untuk mengurangi kekuatan, putar cakram angka ke angka lebih rendah berikutnya.

A. Kekuatan benang normal untuk menjahit jahitan lurus.

B. Kekuatan benang terlalu longgar untuk menjahit jahitan lurus.

C. Kekuatan benang terlalu ketat untuk menjahit jahitan lurus.

D. Kekuatan benang normal untuk jahitan dekoratif zigzag.

Kekuatan benang tepat jika benang atas sedikit timbul pada sisi bawah kain.

Kekuatan benang bawah

Tension spul sudah di set tepat oleh pabrik, jadi kita tidak perlu menyeteinya.

Harap perhatikan:

- Pengaturan kekuatan yang tepat diperlukan untuk memperoleh jahitan yang baik.

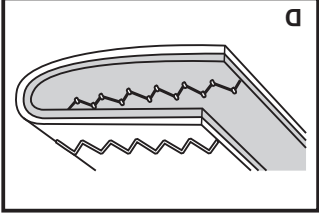
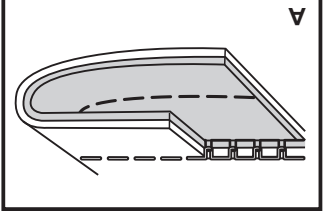
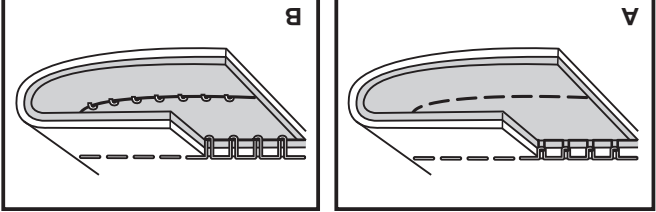
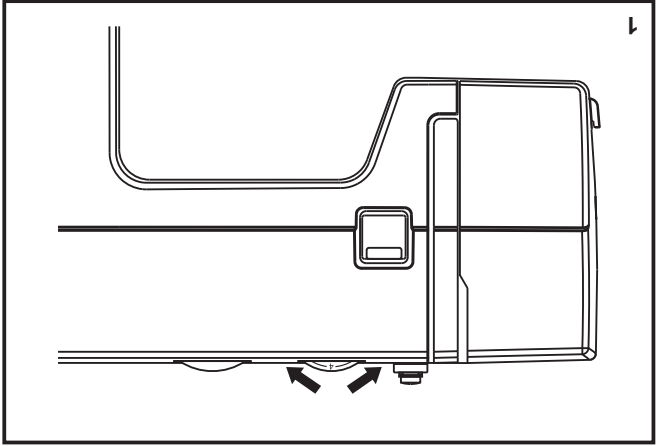
- Tidak ada satu pengaturan kekuatan yang tepat untuk semua fungsi jahitan, benang atas dan kain.

- Kekuatan yang seimbang (jahitan atas dan bawah sama) biasanya hanya diperlukan untuk konstruksi jahitan lurus.

- 90% dari semua jahitan akan terletak antara "3" dan "5".

- Untuk fungsi menjahit jahitan zigzag dan dekoratif, kekuatan benang pada umumnya harus lebih longgar untuk menjahit jahitan lurus.

- Untuk semua jahitan dekoratif, anda akan selalu memperoleh jahitan lebih indah dan kain sedikit mengkerut



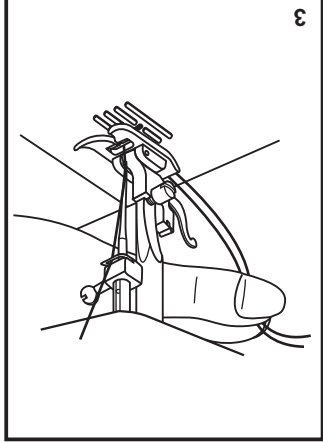
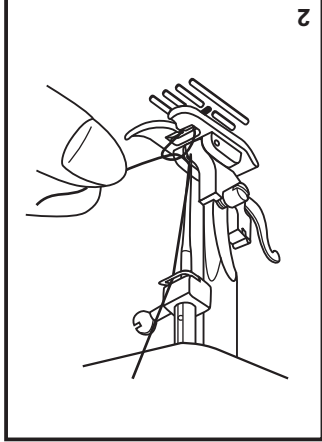
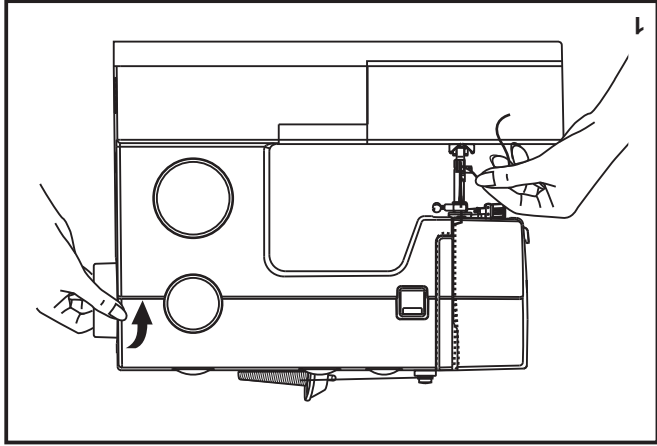
Menaikkan Benang Spul

Pegang benang atas dengan tangan kiri. Putar roda tangan(1) kearah anda (berlawanan arah jarum jam), turunkan, lalu naikkan jarum.

Perhatian:
Jika benang spul sukar dinaikkan, periksalah untuk memastikan apakah benang tidak tersangkut di engsel penutup atau Meja Perpanjangan.

Pelan-pelan tarik benang atas agar benang spul naik melewati lubang plat jarum. (2)

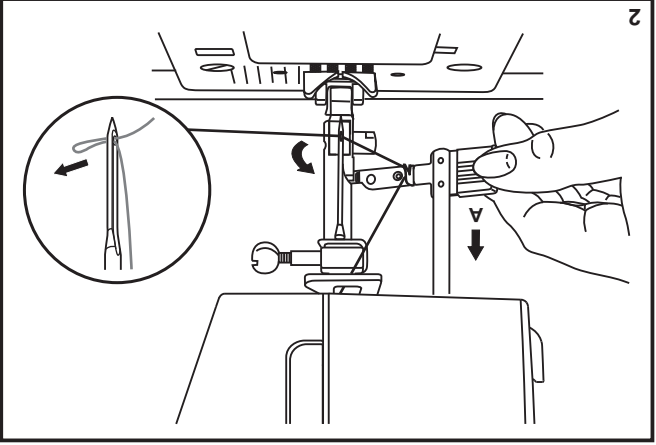
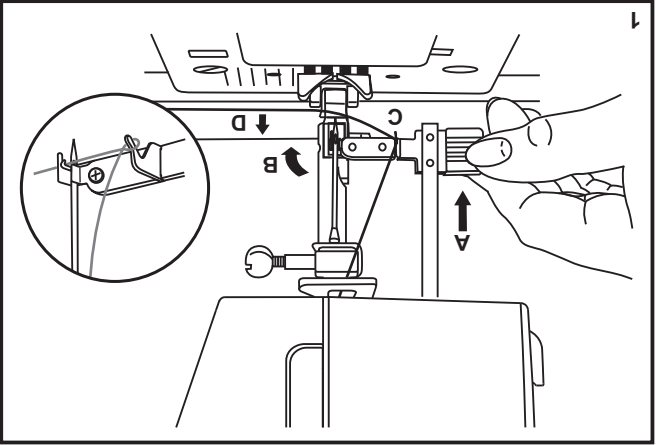
Letakkan kedua jarum ke belakang di bawah sepatu penindas. (3)



□ Pemasang Benang Otomatis

- Naikkan jarum ke posisi paling tinggi;
- Tekan tuas (A) ke bawah sejauh-jauhnya.
- Pemasang benang akan secara otomatis mengayun ke posisi pemasangan benang.(B).
- Masukkan benang disekeliling pengantar benang (C).
- Masukkan benang di depan jarum di sekeliling pengait (D)
- dari bawah ke atas.
- Lepaskan tuas (A).
- Tarik benang melewati lubang jarum.

Perhatian:
Putar saklar listrik ke mati ("O")!



□ Memasang Benang Atas

Ini merupakan operasi yang mudah namun penting untuk dilakukan dengan benar karena kalau tidak benar akan timbul beberapa masalah dalam menjahit.

- Mulailah dengan menaikkan jarum ke posisi tertinggi(1), dan juga naikkan sepatu untuk melepaskan cakram tegangan.

Catatan: Demi keamanan, sangat disarankan agar anda memutar listrik sebelum memasang benang.

- Angkat pin spul. Letakkan spul benang pada pemegang dengan benang keluar dari spul seperti ditunjukkan. Untuk spul benang kecil, letakkan sisi kecil pemegang spul di dekat spul. (2)

- Tarik benang dari spul melewati pengantar benang atas. (3) dan tarik benang melewati per sebelum tegangan seperti diilustrasikan. (4)

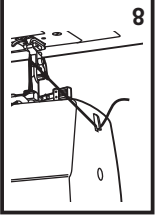
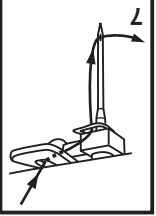
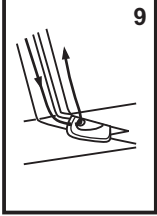
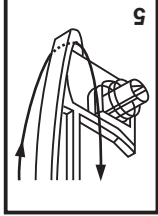
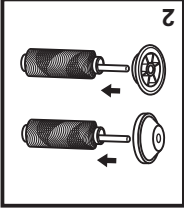
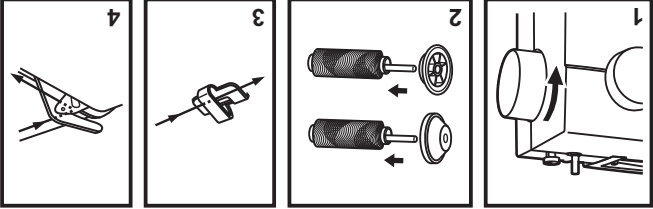
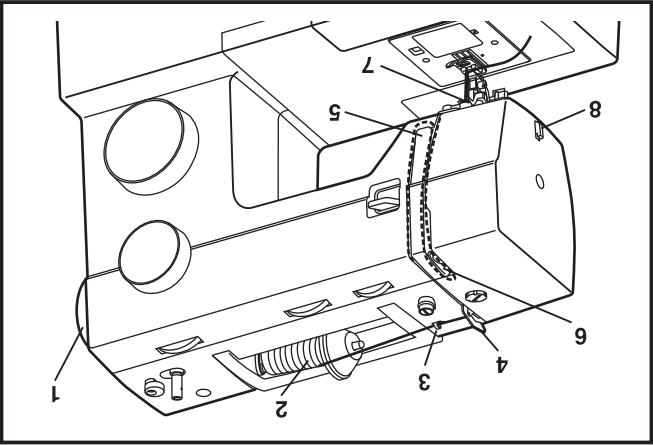
- Pasang benang pada modul tegangan dengan membawa benang ke kanan bawah saluran dan kiri atas saluran. (5) Selama proses ini sebaiknya anda memegang benang diantara spul dan pengantar benang.

- Di puncak pergerakan ini sisipkan benang dari kanan ke kiri melalui lubang tuas pengungkit dan kemudian kebawah lagi. (6)

- Kini bawa benang melewati pengantar klem jarum kawat tipis (7) dan kemudian kebawah menuju jarum yang akan dimasukkan benang dari depan ke belakang.

- Tarik kira-kira 6-8 inci benang ke belakang melewati lubang jarum. Potong benang yang terlalu panjang dengan pemotong benang yang sudah terpasang. (8)

-9-



Memasang Benang Ke Spul

Pada waktu memasukkan atau mengambil spul, tuas penindas harus di angkat.

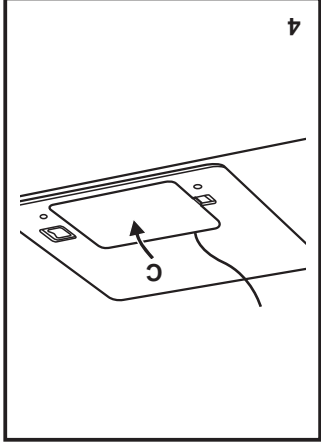
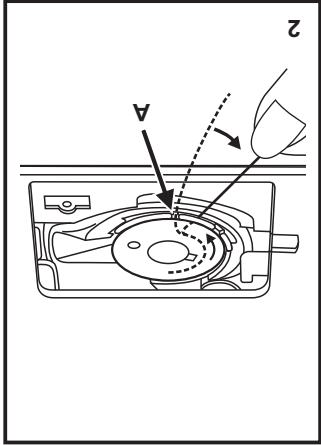
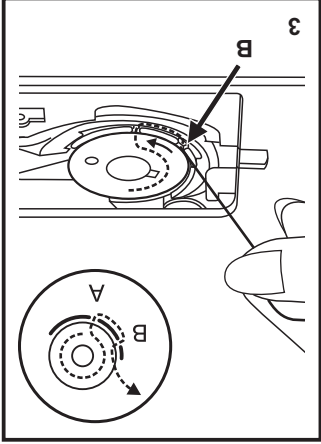
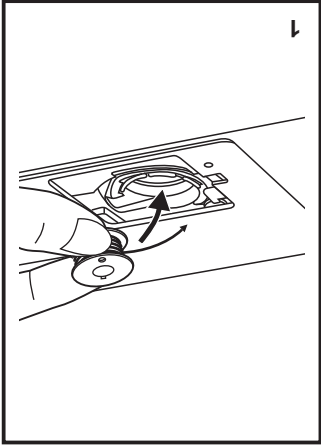
1. Masukkan spul ke dalam tempatnya, dengan memastikan spul berputar berlawanan dengan arah jarum jam (arah panah).

2. Tarik benang melewati celah (A).

3. Dengan satu jari pelan-pelan memegang bagian atas spul, tarik benang sampai terhenti pada celah (B).

4. Tarik benang keluar sebanyak 15 cm dan pasang kembali tutup spul (C).

Perhatian:
Putar saklar listrik ke mati ("O") sebelum memasukkan atau mengeluarkan spul.



□ Menggulung Benang Pada Spul

- Pasang benang dan benahan spul yang sesuai ke pasak (tiang benang). (1/2)

- Sambungkan benang ke pengantar benang. (3)

- Gulung benang arah jarum jam dan pasang ke spindel. (4/5)

- Dorong spindel spul ke kanan. (6)

- Pegang ujung benang. (7)

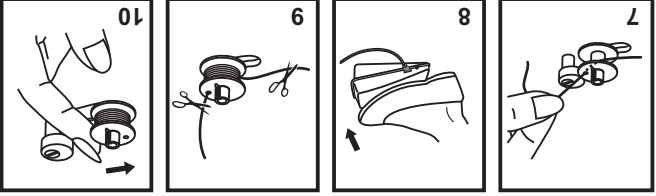
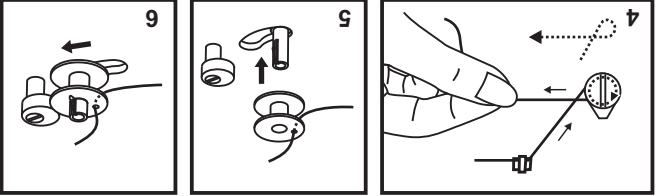
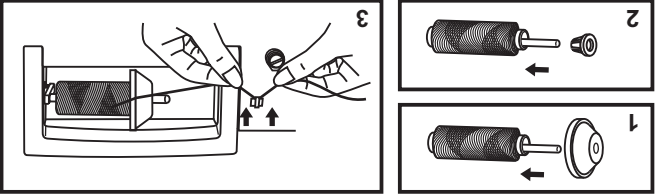
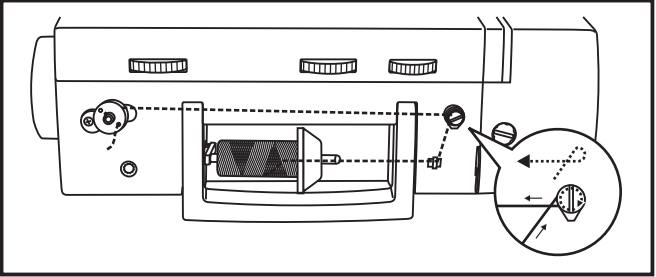
- Injak pedal/trap (injakan dinamo). (8)

- Potonglah benang. (9)

- Dorong spindel benang ke kiri (10) dan lepaskan.

Harap Perhatikan:

Jika spindel penggulung spul sedang pada posisi "menggulungspul," mesin tidak akan menjahit dan roda tangan tidak akan berputar. Untuk mulai menjahit, dorong spindel penggulung spul ke kiri (posisi menjahit).



Aksesoris standar (1)

a. Sepatu kegunaan umum

b. Sepatu resleting

c. Sepatu lubang kancing

d. Sepatu pemasangan kancing

e. Penyobek keilm / sikat

f. Pengantar pinggiran / quilting

g. Kotak jarum

h. Penggulung spul

i. Spul (3x)

j. Obeng L

k. Pasak (tiang benang) kedua

l. Bulu kempa pasak (tiang benang)

m. Penutup mesin

Aksesoris tambahan (2)

(10 aksesoris ini tidak disediakan di mesin; aksesoris pilihan interresida khusus di dealer lokal anda.)

n. Sepatu jahitan satin

o. Sepatu overcasting

p. Sepatu keilm

q. Sepatu bilur

r. Sepatu keilm buta

s. Sepatu quilting

t. Sepatu kerutan

u. Sepatu bordir

v. Sepatu gigi rata

w. Jarum kembar

1 Aksesoris standar

a



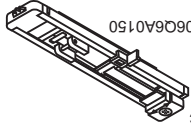
006918008

b



006905008

c



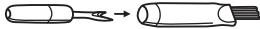
006Q6A0150

d

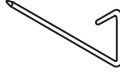


006914008

e



f



g



h



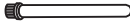
i



j



k



l



m



2 Aksesoris tambahan

n



006172008

o



006907008

p



006900008

q



006813008

r



006904008

s



006916008

t



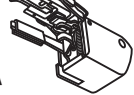
006917008

u



006016008

v



0061850081

w



Tuas Sepatu Penidas Dua Langkah

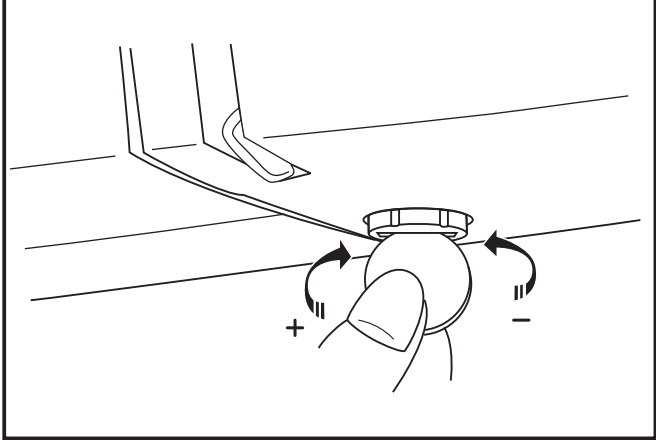
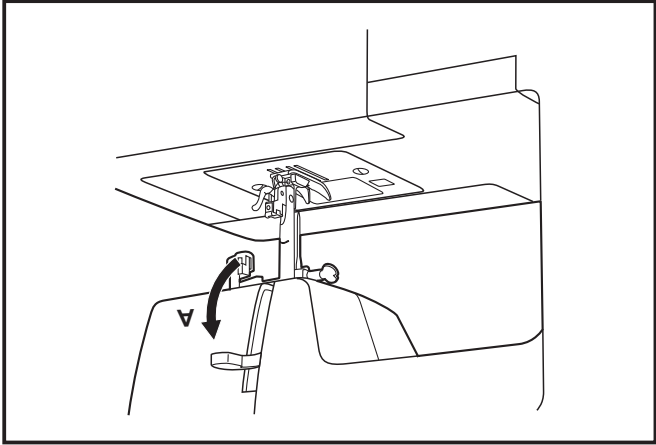
Ketika menjahit beberapa lapis kain tebal, sepatu penidas dapat diangkat ke posisi lebih tinggi agar kain mudah diletakkan. (A)

Menyesuaikan tekanan sepatu penidas

Tekanan sepatu penidas pada mesin jahit ini telah disesuaikan sebelumnya dan tidak memerlukan adanya penyesuaian ulang pada penggunaan kain tertentu (tipis atau tebal).

Tetapi, jika Anda merasa perlu menyesuaikan tekanan sepatu penidas, maka silahkan menyetel sekrup pengatur

Untuk proses menjahit dengan media kain yang sangat tipis, kurangi tekanan nya dengan memutar sekrup pengatur tekanan ke arah kiri (melawan arah jarum jam), sedangkan untuk proses menjahit dengan media kain yang sangat tebal, tambahkan tekanan dengan memutar sekrup pengatur tekanan ke arah kanan (searah jarum jam).



□ Menghubungkan Mesin Ke Catu Daya

Sambungkan mesin ke catu daya seperti ditunjukkan pada gambar.(1)

Perhatian:
Cabut steker listrik jika mesin tidak digunakan.

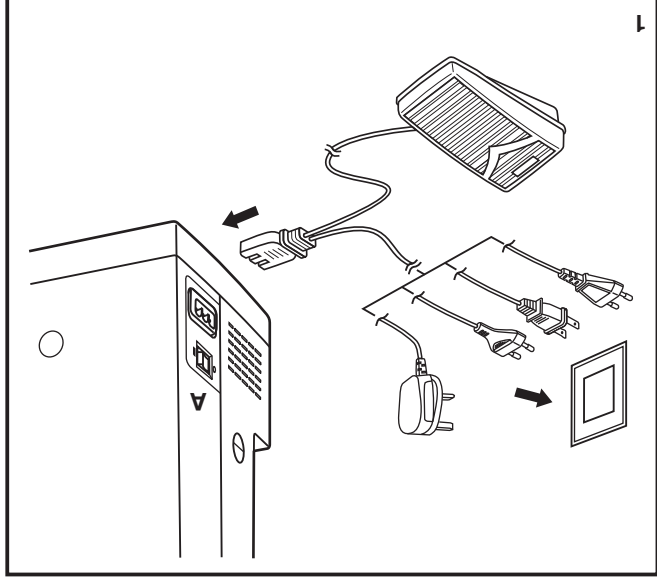
Pedal/trap (injakan dinamo)
Pedal/trap mengatur kecepatan menjahit. (2)

Perhatian:
Hubungi montir listrik yang memenuhi syarat jika anda tidak mengetahui cara untuk menghubungkan mesin ke catu daya. Cabut steker listrik jika mesin tidak digunakan. Pedal/trap (injakan dinamo) harus digunakan dengan peralatan FC-1902A (110-120V area)/ FC-2902A (220-240V area) yang dibuat oleh ZHEJIANG FOUNDER MOTOR CORPORATION LTD. (China) 4C-316Q (110-125V area) yang dibuat oleh Wakaho Electric Ind. Co., Ltd. (Vietnam)

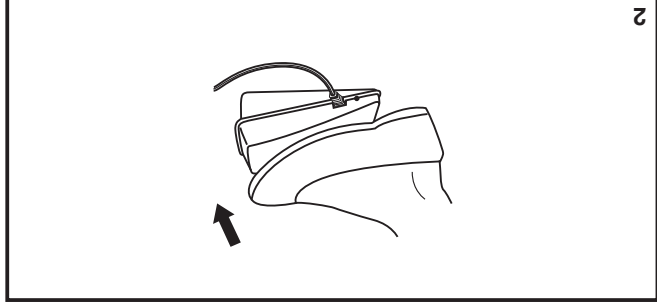
Lampu Menjahit

Tekan saklar utama (A) ke " I " .

-4-



1

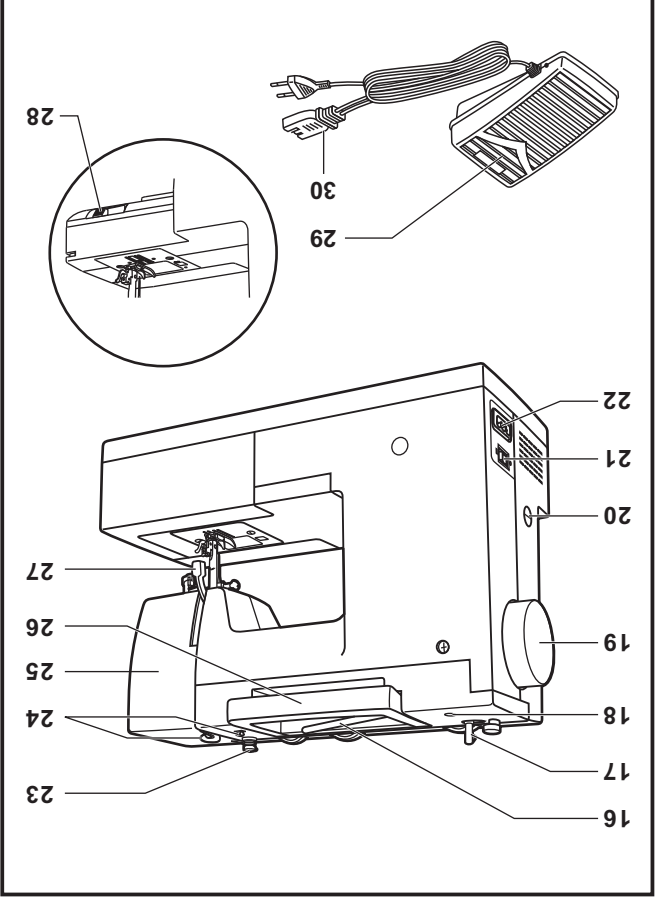


2

□ Suku Cadang Pokok Mesin

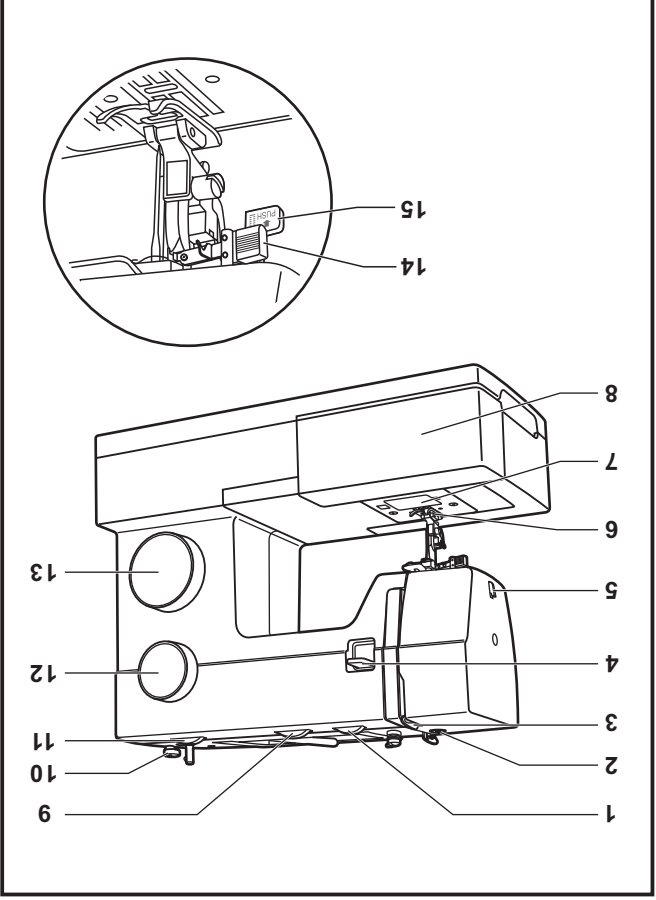
- 16. Pasak (tiang benang) horizontal
- 17. Spindel enggulang spul
- 18. Lubang pasak (tiang benang) kedua
- 19. Roda tangan
- 20. Posisikan jarak jahitan untuk lubang kancing pada posisi yang benar
- 21. Saklar listrik dan lampu
- 22. Soket steker utama
- 23. Pengantar benang spul
- 24. Pengantar benang atas
- 25. Plat depan
- 26. Handel
- 27. Tuas sepatu penindas
- 28. Turunkan tuas lubang kancingnya
- 29. Pedal/trap (injakan dinamo)
- 30. Kabel listrik

-3-



□ Suku Cadang Pokok Mesin

1. Cakram angka keketatan benang
2. Penekan sepatu penindas
3. Tuas pengencang benang
4. Tuas menjahit mundur
5. Pemotong benang
6. Sepatu penindas
7. Plat jarum
8. Meja perpanjangan/Kotak aksesoris
9. Tombol Tiga Posisi Jarum
10. Penghentii spul
11. Cakram angka lebar jahitan
12. Cakram angka panjang jahitan
13. Cakram angka selektor pola
14. Pemasang benang otomatis
15. Tuas lubang kancing satu langkah



Dasar-dasar mesin	
Suku cadang Pokok Mesin	2/3
Menghubungkan Mesin ke Catu Daya	4
Tuas Sepatu Penindas Dua Langkah / Menyesuaikan tekanan sepatu penindas	5
Aksesoris	6
Memasang Benang ke Mesin	
Menggulung Benang Pada Spul	7
Memasukkan Spul	8
Memasang Benang Atas	9
Memasang Benang Otomatis	10
Menaikkan Benang Spul	11
Kecepatan Benang	12
Menjahit	
Bagaimana Cara Memilih Pola	13
Tomboi Tiga Posisi Jarum	14
Tomboi Panjang & Lebar Jahitan	15
Menjahit Jahitan Lurus	16
Menjahit mundur / Mengeluarkan kain / Memotong Benang	17
Memilih Pola Jahitan Stretch	18
Keilm Buta	19
Satu Langkah Menjahit Lubang Kancing	20
Keseimbangan Sisi Kiri Dan Kanan Pada Pembuatan Lubang Kancing	21
Menjahit Kancing Baju	22
Informasi Umum	
Memasang Meja Perparjangan	23
Memasang gagang Sepatu Penindas	24
Tabel Jarum/Kain/ Benang	25
Bagaimana Memindah Pengatur Gigi	26
Pemeliharaan dan Troubleshooting	
Memasukkan dan Mengganti Jarum	27
Menganti Bohlam	28
Pedoman Pemecahan Masalah	29

Selamat

Sebagai pemilik mesin jahit Singer baru, anda akan memulai petualangan kreativitas yang mengasyikkan. Sejak pertama kali anda menggunakan mesin jahit ini, anda akan tahu bahwa anda sedang menjahit dengan salah satu mesin jahit paling mudah digunakan yang pernah dibuat.

Kami menyarankan agar sebelum mulai menggunakan mesin jahit ini anda melihat-lihat banyak fitur dan kemudahan yang terdapat pada mesin jahit anda dalam buku petunjuk ini sedikit demi sedikit.

Untuk memastikan anda selalu memperoleh kemampuan menjahit paling modern, produsen memberikan hak untuk mengubah tampilan, desain atau aksesori mesin jahit ini jika dianggap perlu.

SINGER® adalah merek dagang terdaftar dari The Singer Company Ltd S.à r.l. atau afiliasinya ©2012 The Singer Company Limited S.à r.l. atau afiliasinya. Semua Hak Dilindungi

PETUNJUK KESELAMATAN PENTING

8. JANGAN tarik atau dorong kain saat menjahit. Ini bisa membengkokkan jarum sehingga dapat patah.

9. Matikan mesin jahit ("O") ketika menyetei di sekitar jarum, misalnya memasukkan benang ke jarum, mengganti jarum, memasang benang ke spul, atau mengganti sepatu, dan lain-lain.

10. Selalu cabut steker dari stopkontak ketika melepas penutup, melumasi, atau menyetei sendiri mesin seperti disebutkan pada buku petunjuk ini.

11. JANGAN masukkan atau masukkan benda apapun ke lubang apapun.

12. JANGANoperasikan mesin jahit bila produk aerosol (semprot) sedang digunakan atau bila oksigen sedang disalurkan.

14. Untuk memutus sambungan listrik, putar saklar ke posisi mati ("O"), kemudian cabut steker dari stopkontak.

15. JANGAN cabut steker dengan menarik kabel. Untuk mencabut, pegang stekernya, bukan kabelnya.

16. Tingkat tekanan yang baik dalam kondisi operasi normal adalah 75dB (A).

17. Harap matikan mesin atau cabut steker jika mesin tidak bekerja dengan baik.

18. JANGAN letakkan apapun diatas pedal/trap (injakan dinamo).

19. Jika kabel listrik yang terpasang pada pedal/trap (injakan dinamo) rusak, maka kabel ini harus diganti oleh produsen atau service agent-nya atau orang yang memenuhi syarat agar tidak timbul bahaya.

20. Peralatan ini tidak dimaksudkan untuk dipakai oleh orang (termasuk anak-anak) yang mempunyai keterbatasan fisik, sensorik atau mental, atau tidak mempunyai pengalaman atau pengetahuan mengenai penggunaan peralatan ini oleh orang yang bertanggung jawab terhadap keselamatan mereka.

21. Anak-anak harus diawasi untuk memastikan mereka tidak bermain dengan peralatan ini.

SIMPAN PETUNJUK INI

Produk ini hanya untuk penggunaan rumah tangga.

Ketika menggunakan peralatan listrik, tindakan keselamatan dasar harus selalu dijatikan, termasuk berikut ini:

BAHAYA - Untuk mengurangi risiko kejutan listrik:

1. Mesin jahit ini tidak boleh ditinggalkan tanpa sengaja dalam kondisi tersambung aliran listrik.

2. Selalu cabut steker mesin jahit ini dari stopkontak segera sesudah penggunaan atau sebelum pemersitan.

3. Pastikan untuk selalu mencabut kabel power sebelum melakukan penggantian bohlam lampu. Ganti lampu dengan tipe sama yang berdaya nominal 15 watts (110-120V area / 220-240V area).

PERINGATAN

- Untuk mengurangi risiko luka bakar, kebakaran, kejut listrik, atau cedera:

1. JANGAN biarkan mesin jahit ini dipakai sebagai mainan. Diperlukan perhatian seksama ketika mesin jahit ini digunakan oleh anak-anak atau digunakan di dekat anak-anak.

2. Gunakan mesin jahit ini hanya untuk keperluan sebagaimana dijelaskan dalam buku petunjuk ini. Hanya gunakan alat tambahan yang direkomendasikan oleh produsen sebagaimana termuat dalam buku petunjuk ini.

3. JANGAN pakai mesin jahit ini jika kabel atau stekernya rusak, jika mesin jahit ini tidak bekerja sebagaimana mestinya, jika mesin jahit ini pernah jatuh atau rusak, atau jatuh ke air. Kembalikan mesin jahit ke dealer resmi atau service center terdekat untuk diperiksa, diperbaiki, atau disetel ke listriknya atau mekaniiknya.

4. JANGANoperasikan mesin jahit jika ada lubang udara yang tersumbat. Bersihkan lubang ventilasi mesin jahit dan pedal/trap (injakan dinamo) dari timbunan kain tiras, debu, dan kain lepas.

5. Jauhkan jari dari semua bagian mesin yang bergerak. Berhati-hatilah di dekat jarum mesin jahit.

6. Selalu gunakan plat jarum yang tepat. Plat yang salah dapat menyebabkan jarum patah.

7. JANGAN gunakan jarum bengkok.

4423 Petunjuk Penggunaan

SINGER®

